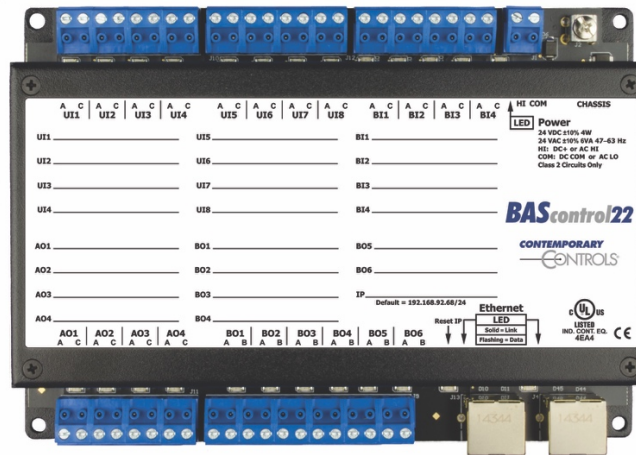


BASC22

22-point BACnet/IP Sedona Unitary Controller

BAScontrol22



User Manual

Firmware Version 3.1.27

Trademarks

BASautomation, Contemporary Controls and CTRLink are registered trademarks of Contemporary Control Systems, Inc. BACnet is a registered trademark of the American Society of Heating, Refrigerating and Air-Conditioning Engineers, Inc. Powered by Sedona Framework is a trademark of Tridium, Inc. Other product names may be trademarks or registered trademarks of their respective companies.

Copyright

© Copyright 2017, by Contemporary Control Systems, Inc. All rights reserved. No part of this publication may be reproduced, transmitted, transcribed, stored in a retrieval system, or translated into any language or computer language, in any form or by any means, electronic, mechanical, magnetic, optical, chemical, manual, or otherwise, without the prior written permission of:

Contemporary Control Systems, Inc. 2431 Curtiss Street Downers Grove, Illinois 60515 USA	Tel: +1-630-963-7070 Fax: +1-630-963-0109 E-mail: info@ccontrols.com
Contemporary Controls Ltd 14 Bow Court Fletchworth Gate Coventry CV5 6SP UK	Tel: +44 (0)24 7641 3786 Fax: +44 (0)24 7641 3923 E-mail: info@ccontrols.co.uk
Contemporary Controls (Suzhou) Co. Ltd 19F, Metropolitan Towers, No.199 Shishan Road, Suzhou New District, 215009 China	Tel: +86 512 68095866 Fax: +86 512 68093760 E-mail: info@ccontrols.com.cn
Contemporary Controls GmbH Fuggerstraße 1 B D-04158 Leipzig Deutschland	Tel: +49 (0)341 520359 0 Fax: +49 (0)341 520359 16 E-mail: info@ccontrols.de

Disclaimer

Contemporary Control Systems, Inc. reserves the right to make changes in the specifications of the product described within this manual at any time without notice and without obligation of Contemporary Control Systems, Inc. to notify any person of such revision or change.

**WARNING — This is a Class A product as defined in EN55022.
In a domestic environment this product may cause radio interference
in which case the user may be required to take adequate measures.**

Contents

1	Introduction	5
1.1	Features and Benefits	5
1.2	Product Image and Main Features	6
2	Specifications	7
2.1	Universal Input (Channels UI1–UI8).....	7
2.2	Binary Inputs (Channels BI1–BI4)	7
2.3	Analog Outputs (Channels AO1–AO4)	7
2.4	Binary Outputs (Channels BO1–BO6)	7
2.5	Communications	7
2.6	Protocol Compliance	8
2.7	Power Requirements	8
2.8	General Specifications	8
2.9	LED Indicators	8
2.10	Electromagnetic Compatibility	9
2.11	Field Connections.....	10
2.12	Power Connection.....	10
2.13	Ordering Information	10
2.14	Dimensional Drawing	11
2.15	PICS Statement	12
3	Installation	13
3.1	Power Supply	13
3.1.1	Power Supply Precautions.....	13
3.1.2	Limited Power Sources	13
3.2	Cabling Considerations	14
4	Field Connections	15
4.1	Sample BASC22 Wiring Diagram	15
4.2	Universal Input — Configured as Analog Input	16
4.3	Universal Input — Configured as Temperature or Resistance Input	17
4.4	Universal Input — Configured as a Binary Input	18
4.5	Universal Input — Configured as Pulse Input	19
4.6	Analog Outputs	20

4.7	Binary Outputs	21
4.8	Binary Inputs	22
4.9	LEDs	23
5	Configuration via a Web Browser	24
5.1	General Considerations	24
5.1.1	Ethernet Port.....	24
5.1.2	Secure Login and Reset (Recovery Mode).....	24
5.1.3	Web Server Initial Access	25
5.1.4	System Configuration.....	27
5.1.5	System Status.....	29
5.1.6	System Time	30
5.1.7	Web Components (WC01–WC48).....	31
5.1.8	Restart Controller.....	31
5.1.9	Auto Refresh (On/Off).....	31
5.1.10	Virtual Points (VT01-VT24).....	32
5.1.11	Forcing I/O Points from the Main Web Page.....	32
5.2	Channel Configuration	32
5.2.1	Universal Input — Configured as Analog Input (Channels UI1–UI8)	34
5.2.2	Universal Input — Configured as Binary Input (Channels UI1–UI8)	35
5.2.3	Universal Input — Configured as Pulse Input (Channels UI1–UI4)....	36
5.2.4	Universal Input — Configured as Thermistor or Resistance Input (Channels UI1–UI8).....	37
5.2.5	Binary Inputs (Channels BI1–BI4).....	38
5.2.6	Analog Outputs (Channels AO1–AO4)	39
5.2.7	Binary Outputs (Channels BO1–BO6)	40
5.2.8	Virtual Points (Channels VT01–VT24).....	41

1 Introduction

The BAScontrol22 is a 22-point unitary controller which supports BACnet/IP and Sedona Framework™ using a 2-port Ethernet switch connection. The controller complies with the B-ASC device profile having a convenient mix of 8 universal inputs, 4 binary inputs, 4 analog outputs and 6 relay outputs. Unique to the unit are 48 web components which link Sedona wire sheet readable/writeable data to web pages, and 24 virtual points which link Sedona wire sheet readable/writeable data to a BACnet client. The device is fully web page-configurable, and freely programmable using Sedona's drag-and-drop programming methodology of assembling components onto a wire sheet to create applications. The unit can be programmed using Niagara Workbench AX™ or a third-party Sedona programming tool such as Sedona Application Editor (SAE). Rugged design, low profile, and wide temperature operation make it suitable for indoor or outdoor use. To download the free Sedona Application Editor, visit: www.ccontrols.com/sae. For more information about Sedona, SAE, kits, components and programming download the Sedona Reference Manual at: www.ccontrols.com/sedona

The BASC22 utilizes a powerful 32-bit ARM7 processor with 512 kB of flash memory plus a 16 Mbit serial flash file system for storing configuration data and an application program. By operating at the BACnet/IP level, the BASC22 can share the same Ethernet network with supervisory controllers and operator workstations. The unit can be configured for a fixed IP address or can operate as a DHCP client receiving its IP address from a DHCP server. A real-time clock with a super-cap backup allows for creating local schedules.

10/100 Mbps Ethernet ports support protocols such as BACnet/IP, Sedona Sox, HTTP and FTP. Configuration of universal inputs and virtual points can be accomplished using web pages. Type II and type III 10 kΩ thermistors curves and a 20 kΩ curve are resident in the unit. Current inputs can be measured using external resistors. Contact closures require a voltage-free source. Binary inputs and outputs as well as analog outputs require no configuration. The unit is powered from either a 24VAC/VDC source.

1.1 Features and Benefits

Versatile Control Device — field controller or remote Ethernet I/O

- BACnet/IP compliant
- B-ASC device profile
- Configurable by Workbench AX or third-party Sedona tool (SAE)
- Direct connection to an Ethernet network
- Powered by a Sedona Virtual Machine

Flexible Input/Output — 22-points of I/O

- Eight configurable universal inputs:
- Thermistor, resistance, analog voltage, binary input, resistance, contact closure, pulse inputs (4 max)
- Four contact closure inputs
- Four analog voltage outputs
- Six relay outputs

1.2 Product Image and Main Features

Universal Inputs

Eight input points can be configured — all discoverable as BACnet objects.

- Analog inputs: 0–10 VDC, 12-bit resolution, 0–20 mA (with external resistor)
- Temperature inputs: Type II or Type III 10 kΩ thermistors; 20 kΩ thermistor
- Resistance inputs: 1 kΩ to 100 kΩ
- Contact closure, voltage-free
- Pulse input accumulators (UI1–UI4): accommodates active or passive sources (40 Hz max)

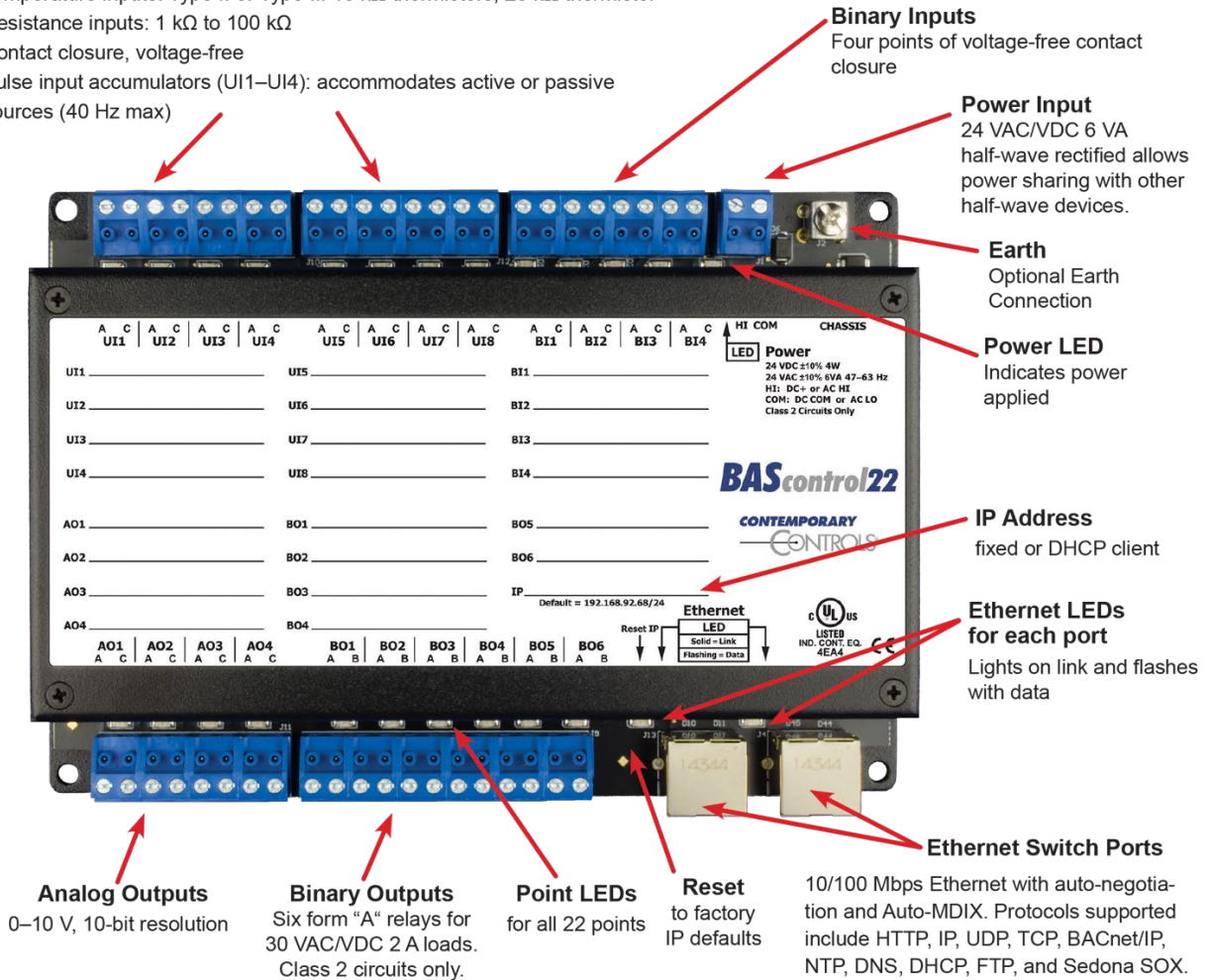


Figure 1 — BASC22 Main Features

2 Specifications

2.1 Universal Input (Channels UI1–UI8)

Configured As	Limits
Analog Input	0–10 VDC or 0–20 mA (with external resistor). 12-bit resolution. Input impedance 1 MΩ on voltage.
Temperature Input	Type II 10 kΩ thermistor –10° to +190 °F (–23.3° to +87.8°C) Type III 10 kΩ thermistor –15° to +200 °F (–26.1° to +93.3°C) Type 20 kΩ thermistor 15° to 215° F (–9° to +101° C)
Contact Closure Input	Excitation current 0.5 mA. Open circuit voltage 12 VDC. Sensing threshold 3 VDC (logic “1”) and 7 VDC (logic “0”). Response time 20 ms.
Pulse Input (points UI1–UI4)	0–10 VDC for active output devices. 0–12 VDC for passive devices (configured for internal pull-up resistor). 40 Hz maximum input frequency with 50% duty cycle. Adjustable high and low thresholds.
Resistance	1 kΩ -100 kΩ range

2.2 Binary Inputs (Channels BI1–BI4)

Type	Limits
Contact Closure	Excitation current 1.2 mA. Open circuit voltage 12 VDC. Sensing threshold 3 VDC (logic “1”) and 7 VDC (logic “0”). Response time 20 ms.

2.3 Analog Outputs (Channels AO1–AO4)

Type	Limits
Analog Output	0–10VDC. 10-bit resolution. 4 mA maximum.

2.4 Binary Outputs (Channels BO1–BO6)

(Class 2 circuits only - requires external power source)

Type	Limits
Model BASC-22	Normally open relay contacts. 30 VAC/VDC 2 A.

2.5 Communications

Protocol	Data Link and Physical Layers
Ethernet	ANSI/IEEE 802.3 10/100 Mbps Ethernet. 10BASE-T, 100BASE-TX, auto-negotiation of speed and duplex. Auto-MDIX. 100 m maximum segment length. Default IP address is 192.168.92.68/24.

2.6 Protocol Compliance

Protocol	Compliance
BACnet/IP	ASHRAE 135-2008 annex J. Application specific controller device profile B-ASC.

2.7 Power Requirements

Item	Limits
Input power	24 VAC/VDC \pm 10%, 47–63 Hz, 6 VA

2.8 General Specifications

Item	Description
Protection	All inputs and outputs (except for relay outputs and communications ports) are over-voltage protected up to 24 VAC and short-circuit protected.
Environmental	Operating temperature -40° to +75°C. Storage temperature -40°C to +85°C. Relative humidity 10–95%, non-condensing.
Weight	1 lbs. (0.45 kg).

2.9 LED Indicators

LED Indicator	Indication
UI1–UI8 Configured as Analog Input	Green: > 1% of range, otherwise off
UI1–UI8 Configured as Temperature Input	Green: sensor detected
UI1–UI8 Configured as Contact Input	Green: contact closed, otherwise off
UI1–UI4 Configured as Pulse Input	Green: pulse sensed, otherwise off
UI1–UI8 Configured for Resistance	Green: resistance sensed
BI1–BI4 Contact Closure	Green: contact closed, otherwise off
AO1–AO4 Analog Output	Green: commanded output
BO1–BO6 Binary Output	Green: commanded output
Ethernet	Green: Link established; flashes with activity

2.10 Electromagnetic Compatibility

Standard	Test Method	Description	Test Levels
EN 55024	EN 61000-4-2	Electrostatic Discharge	6 kV contact
EN 55024	EN 61000-4-3	Radiated Immunity	10 V/m, 80 MHz to 1 GHz
EN 55024	EN 61000-4-4	Fast Transient Burst	1 kV clamp & 2 kV direct
EN 55024	EN 61000-4-5	Voltage Surge	1 kV L-L & 2 kV L-Earth
EN 55024	EN 61000-4-6	Conducted Immunity	10 V (rms)
EN 55024	EN 61000-4-11	Voltage Dips & Interruptions	1 Line cycle, 1-5 s @100% dip
EN 55022	CISPR 22	Radiated Emissions	Class A
EN 55022	CISPR 22	Conducted Emissions	Class B
CFR 47, Part	ANSI C63.4	Radiated Emissions	Class A

2.11 Field Connections

Terminal	Universal Inputs 1–8
UI1 A	Universal Input Point 1 High
UI1 C	Universal Input Point 1 Common
UI2 A	Universal Input Point 2 High
UI2 C	Universal Input Point 2 Common
UI3 A	Universal Input Point 3 High
UI3 C	Universal Input Point 3 Common
UI4 A	Universal Input Point 4 High
UI4 C	Universal Input Point 4 Common
UI5 A	Universal Input Point 5 High
UI5 C	Universal Input Point 5 Common
UI6 A	Universal Input Point 6 High
UI6 C	Universal Input Point 6 Common
UI7 A	Universal Input Point 7 High
UI7 C	Universal Input Point 7 Common
UI8 A	Universal Input Point 8 High
UI8 C	Universal Input Point 8 Common

Terminal	Relay Outputs (BASC-22)
BO1 A	Output 1 Normally Open Contact
BO1 B	
BO2 A	Output 2 Normally Open Contact
BO2 B	
BO3 A	Output 3 Normally Open Contact
BO3 B	
BO4 A	Output 4 Normally Open Contact
BO4 B	
BO5 A	Output 5 Normally Open Contact
BO5 B	
BO6 A	Output 6 Normally Open Contact
BO6 B	

Terminal	Analog Outputs 1–4
AO1 A	Output Point 1 High
AO1 C	Output Point 1 Common
AO2 A	Output Point 2 High
AO2 C	Output Point 2 Common
AO3 A	Output Point 3 High
AO3 C	Output Point 3 Common
AO4 A	Output Point 4 High
AO4 C	Output Point 4 Common

Terminal	Binary Inputs 1–4
BI1 A	Input Point 1 High
BI1 C	Input Point 1 Common
BI2 A	Input Point 2 High
BI2 C	Input Point 2 Common
BI3 A	Input Point 3 High
BI3 C	Input Point 3 Common
BI4 A	Input Point 4 High
BI4 C	Input Point 4 Common

2.12 Power Connection

Terminal	Power
HI	High AC or DC +
COM	AC or DC common

2.13 Ordering Information

Model	Description
BASC-22R	BAScontrol22 BACnet 22-PT 6-RelayOut Dual RJ45

2.14 Dimensional Drawing

All units are in mm.

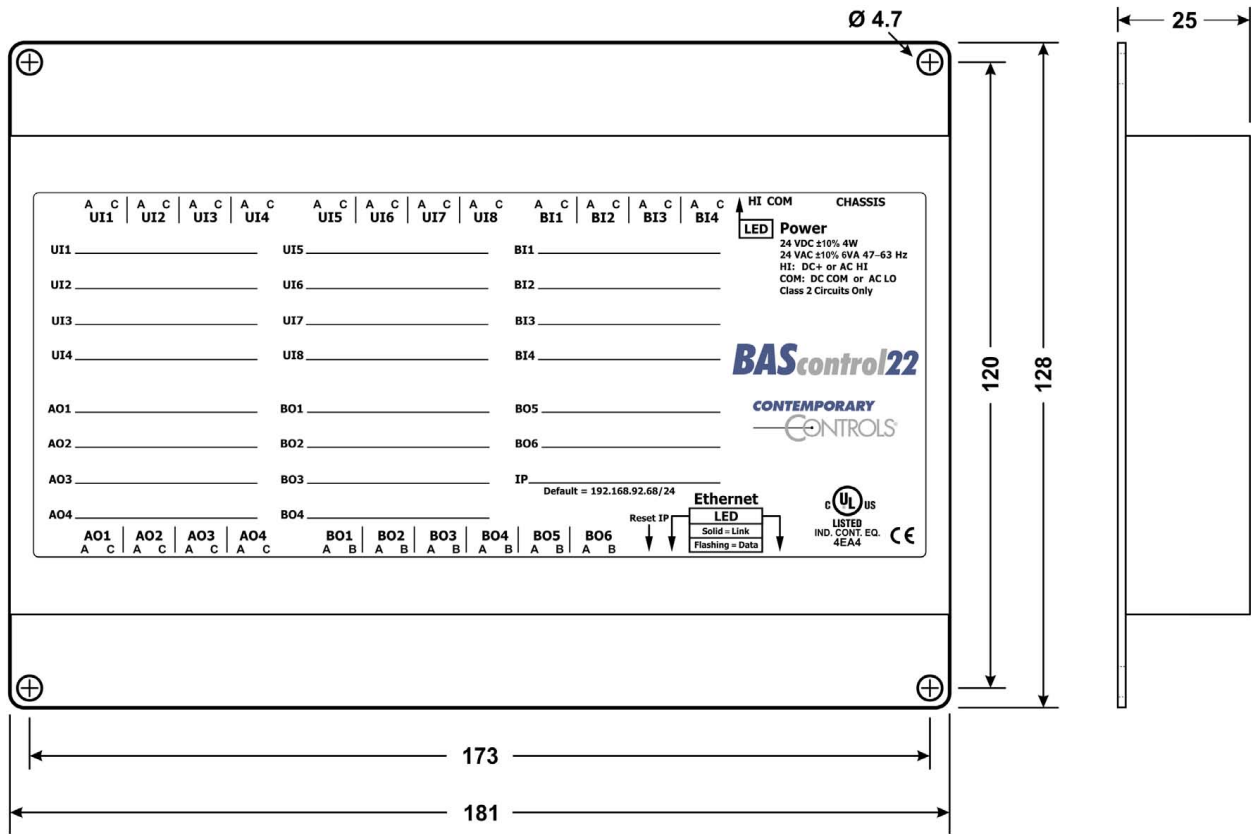

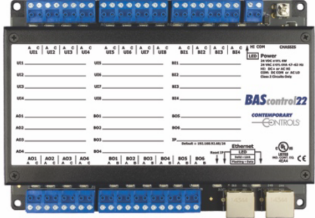


Figure 2 — BASC22 Dimensions

2.15 PICS Statement

																											
<h3>BAScontrol22</h3> <p>BACnet/IP Sedona Field Controller</p>																											
<h4>BACnet Protocol Implementation Conformance Statement (Annex A)</h4>																											
Date:	August 9, 2016																										
Vendor Name:	Contemporary Controls																										
Product Name:	BAScontrol22																										
Product Model Number:	BASC-22R																										
Applications Software Version:	1.2.28	Firmware Revision:	3.1.2																								
		BACnet Protocol Revision:	3																								
Product Description:	BACnet/IP compliant 22-point field controller or remote I/O that allows a direct connection to Ethernet without the need of a BACnet router.																										
BACnet Standardized Device Profile (Annex L):	<input type="checkbox"/> BACnet Operator Workstation (B-OWS) <input checked="" type="checkbox"/> BACnet Application Specific Controller (B-ASC)																										
	<input type="checkbox"/> BACnet Building Controller (B-BC) <input type="checkbox"/> BACnet Smart Sensor (B-SS)																										
	<input type="checkbox"/> BACnet Advanced Application Controller (B-AAC) <input type="checkbox"/> BACnet Smart Actuator (B-SA)																										
List all BACnet Interoperability Building Block Supported (Annex K):	DS-RP-B Data Sharing — ReadProperty – B DS-WP-B Data Sharing — WriteProperty – B DS-RPM-B Data Sharing — ReadPropertyMultiple – B DS-COV-B Data Sharing — ChangeOfValue – B DM-DDB-B Device Management — Dynamic Device Binding – B DM-DOB-B Device Management — Dynamic Object Binding – B DM-DCC-B Device Management — Device Communication Control – B DM-TS-B Device Management — Time Synchronization – B																										
Segmentation Capability:	<input type="checkbox"/> Able to transmit segmented messages <input type="checkbox"/> Able to receive segmented messages																										
	Window Size:	Window Size:																									
Standard Object Types Supported:	<table border="1"> <thead> <tr> <th>Object Type Supported</th> <th>Can Be Created Dynamically</th> <th>Can Be Deleted Dynamically</th> </tr> </thead> <tbody> <tr><td>Analog Input</td><td>No</td><td>No</td></tr> <tr><td>Analog Output</td><td>No</td><td>No</td></tr> <tr><td>Analog Value</td><td>No</td><td>No</td></tr> <tr><td>Binary Input</td><td>No</td><td>No</td></tr> <tr><td>Binary Output</td><td>No</td><td>No</td></tr> <tr><td>Binary Value</td><td>No</td><td>No</td></tr> <tr><td>Device</td><td>No</td><td>No</td></tr> </tbody> </table>			Object Type Supported	Can Be Created Dynamically	Can Be Deleted Dynamically	Analog Input	No	No	Analog Output	No	No	Analog Value	No	No	Binary Input	No	No	Binary Output	No	No	Binary Value	No	No	Device	No	No
Object Type Supported	Can Be Created Dynamically	Can Be Deleted Dynamically																									
Analog Input	No	No																									
Analog Output	No	No																									
Analog Value	No	No																									
Binary Input	No	No																									
Binary Output	No	No																									
Binary Value	No	No																									
Device	No	No																									
	No optional properties are supported.																										
Data Link Layer Options:	<input checked="" type="checkbox"/> BACnet IP, (Annex J) <input type="checkbox"/> MS/TP slave (Clause 9), baud rate(s):																										
	<input checked="" type="checkbox"/> BACnet IP, (Annex J), Foreign Device <input type="checkbox"/> Point-To-Point, EIA 232 (Clause 10), baud rate(s):																										
	<input type="checkbox"/> ISO 8802-3, Ethernet (Clause 7) <input type="checkbox"/> Point-To-Point, modem, (Clause 10), baud rate(s):																										
	<input type="checkbox"/> ANSI/ATA 878.1, EIA-485 ARCNET (Clause 8), baud rate(s): <input type="checkbox"/> LonTalk, (Clause 11), medium:																										
	<input type="checkbox"/> MS/TP master (Clause 9), baud rate(s): <input type="checkbox"/> Other:																										
Device Address Binding:	Is static device binding supported? (This is currently necessary for two-way communication with MS/TP slaves and certain other devices.) <input type="checkbox"/> Yes <input checked="" type="checkbox"/> No																										
Networking Options:	<input type="checkbox"/> Router, Clause 6 – List all routing configurations, e.g., ARCNET-Ethernet-MS/TP, etc. <input type="checkbox"/> Annex H, BACnet Tunnelling Router over IP <input type="checkbox"/> BACnet/IP Broadcast Management Device (BBMD) Does the BBMD support registrations by Foreign Devices? <input type="checkbox"/> Yes <input type="checkbox"/> No																										
Character Sets Supported:	Indicating support for multiple character sets does not imply that they can all be supported simultaneously.																										
	<input checked="" type="checkbox"/> ANSI X3.4 <input type="checkbox"/> IBM™/Microsoft™ DBCS <input type="checkbox"/> ISO 8859-1																										
	<input type="checkbox"/> ISO 10646 (UCS-2) <input type="checkbox"/> ISO 10646 (UCS-4) <input type="checkbox"/> JIS C 6226																										
If this product is a communication gateway, describe the types of non-BACnet equipment/network(s) that the gateway supports:	No gateway support.																										
9 Aug 2016		PI-BASC220-AA1																									

3 Installation

The BASC22 is intended to panel-mounted with screws (not provided). The BAScontrol22 is outdoor temperature rated for temperature range between -40°C and 75°C.

3.1 Power Supply

The power source for the internal supply is applied via the two terminals labelled HI and COM. COM is for the power source return and also serves as the common ground connection. Primary 24 VAC/VDC ($\pm 10\%$) power is applied to HI and COM. HI connects to a diode accomplishes half-wave rectified power — while providing reverse input voltage protection. The recommended power conductor size is 16–18 AWG (solid or stranded). Ground is directly connected to zero volts. Input connections are reverse-polarity protected.

WARNING: Powering devices can present hazards. Read the next two sections carefully.

3.1.1 Power Supply Precautions

Internally, the BASC22 utilizes a half-wave rectifier and therefore can share the same AC power source with other half-wave rectified devices. Sharing a common DC power source is also possible. Sharing AC power with full-wave rectified devices is NOT recommended. Full-wave rectified devices usually require a dedicated AC power source that has a secondary elevated above ground. Both secondary connections are considered HOT. AC power sources that power several half-wave devices have a common secondary connection called COMMON, LO, or GROUND. This connection might be tied to earth. The other side of the secondary is considered the HOT or HI side of the connection. Connect the HOT side of the secondary to the HI input on the BASC22 and the LO side to COM on the BASC22. All other half-wave devices sharing the same AC power source need to follow the same convention. When using a DC power source, connect its positive terminal to the HI input on the BASC22 and the negative terminal to COM on the BASC22. Reversing polarity to the BASC22 will not damage the BASC22.

WARNING: Devices powered from a common AC source could be damaged if a mix of half-wave and full-wave rectified devices exist. If you are not sure of the type of rectifier used by another device, do not share the AC source with it.

3.1.2 Limited Power Sources

The BASC22 should be powered by a limited power source complying with the requirements of the National Electric Code (NEC) article 725 or other international codes meeting the same intent of limiting the amount of power of the source. Under NEC article 725, a Class 2 circuit is that portion of the wiring system between the load side of a Class 2 power source and the connected equipment. For AC or DC voltages up to 30 volts, the power rating of a Class 2 power source is limited to 100 VA. The transformer or power supply complying with the Class 2 rating must carry a corresponding listing from a regulatory agency such as Underwriters Laboratories (UL).

3.2 Cabling Considerations

Function	Signalling and Data Rate	Minimum Required Cable	Maximum Segment Distance
Ethernet	10BASE-T 10 Mbps	Category 3 UTP	100 m (328 ft)
Ethernet	100BASE-TX 100 Mbps	Category 5 UTP	100 m (328 ft)
I/O	Unspecified	Solid: 16–22 AWG Stranded: 16–18 AWG	Unspecified

Table 1 — Cabling Considerations

* If using shielded cable, connect to chassis at only one point.

NOTE: Wire size may be dictated by electrical codes for the area where the equipment is being installed. Consult local regulations.

Observe in Table 1 that 10BASE-T segments can successfully use Category 3, 4 or 5 cable — but 100BASE-TX segments must use Category 5 cable. Category 5e cable is highly recommended as the minimum for new installations.

The Ethernet port of the BASC22 employs Auto-MDIX technology so that either straight-through or crossover cables can be used to connect to the network.

4 Field Connections

4.1 Sample BASC22 Wiring Diagram

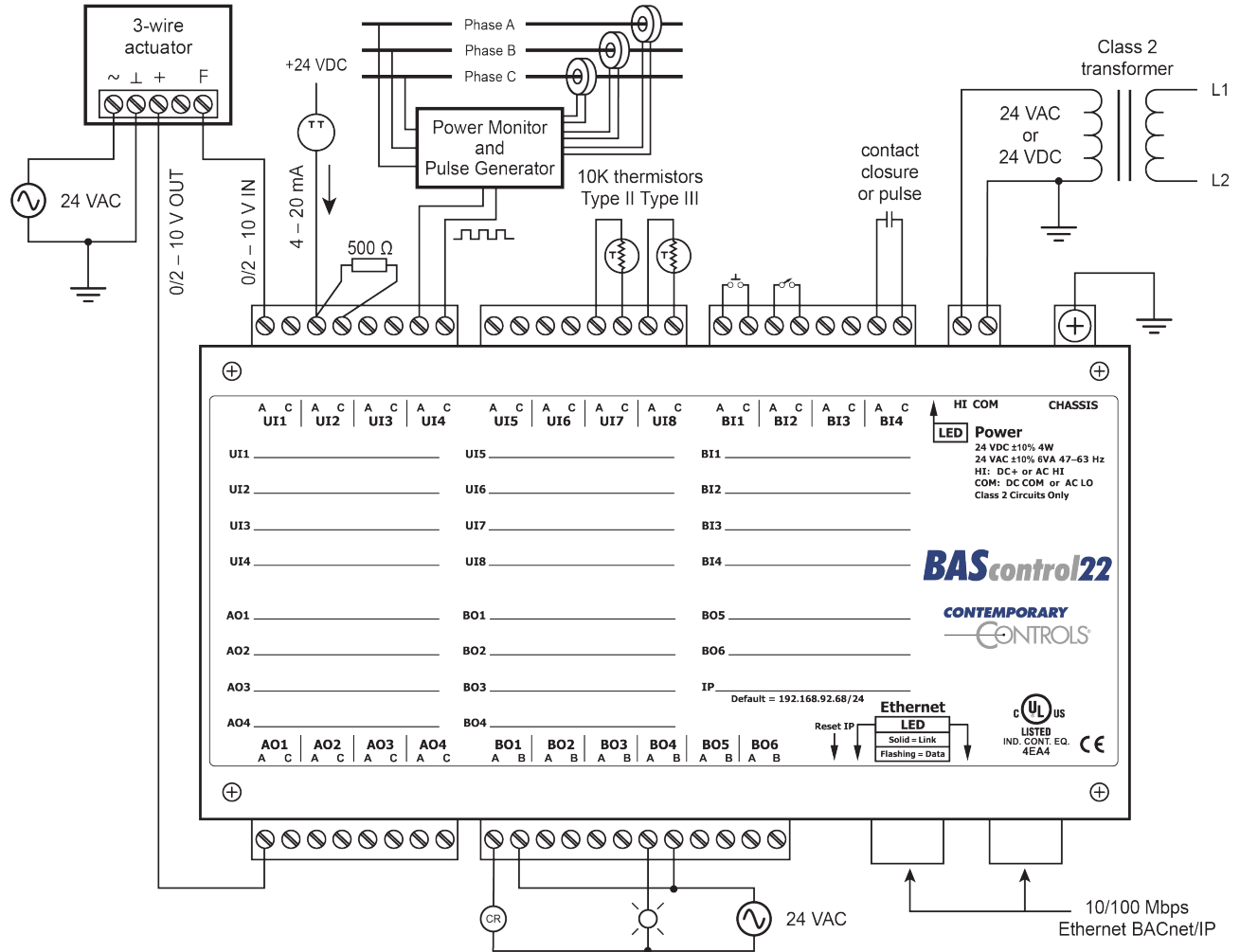


Figure 3 — Sample BASC22 Wiring Diagram

4.2 Universal Input — Configured as Analog Input

An analog input can measure voltage in the range of 0–10 VDC or it can measure current in the range of 0–20 mA with a 500 Ω external resistor. Transmitters that produce an elevated “zero” such as 2–10 VDC or 4–20 mA can be measured as well. Using the web page, configure the input for voltage. When set as a voltage input, the input impedance is 1 M Ω .

With voltage measurement, connect the more positive voltage to point **A** and the less positive to common **C** as shown in (Figure 4). On proportional damper actuators, the output signal is referenced to the damper’s power supply common. That common must be at the same reference as the BASC22 common. Notice the connections in the diagram in the case of a separately powered actuator. In this situation it is necessary to attach the transmitter output to point **A** on the BASC22 input and a ground reference to B.

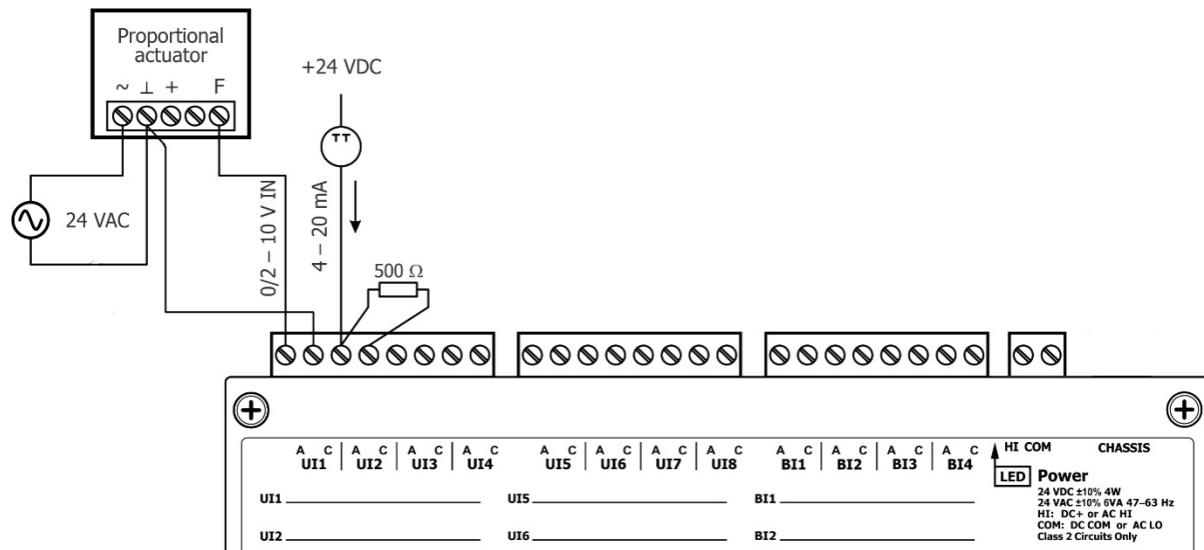


Figure 4 — Analog Input Connections

When measuring current from two-wire transmitters, remember the BASC22 sinks current to ground. A 500 Ω resistor is applied between points A and C on the input. To measure current, it must be driven into point A with respect to point C.

Care should be exercised when connecting to a three-wire current transmitter. These are usually non-isolated devices between the power source and signal output. The BASC22 will sink current from its input to ground so the transmitter must source current from a positive potential to ground. If the three-wire transmitter works in this manner, it can be accommodated.

Four-wire transmitters usually have isolation between power supply and signal output so their output stage can usually be treated as a two-wire transmitter.

4.3 Universal Input — Configured as Temperature or Resistance Input

The BASC22 has built-in calibration curves for 10 kΩ Type II or Type III thermistors and 20 kΩ thermistors. These devices have a non-linear negative coefficient of resistance to temperature and provide a nominal resistance of 10 kΩ or 20 kΩ at 25°C. With a web browser, configure an input Channel Type for either Type II or Type III thermistor or 20 kΩ. As shown in (Figure 5), connect the two-wire thermistor to points **A** and **C**. Polarity is not an issue. If averaging of temperature is desired, connect multiple thermistors in a series-parallel combination so that the nominal resistance remains at 10 kΩ or 20 kΩ as shown. Make sure that all devices are of the same type. The effective range of measurement varies by type. Type II 10 kΩ thermistors range from -10° to +190 °F (-23.3° to +87.8°C). Type III 10 kΩ thermistors range from -15° to +200 °F (-26.1° to +93.3°C). 20 kΩ thermistors range from 15° to 215° F (-9° to +101° C). An open input results in a fault condition and no LED indication for that point.

Two-wire potentiometers used as setpoint stations can be read by the universal input by selecting resistance on the drop-down menu. The resistance range is from 1kΩ to 100kΩ. Connections are made just like thermistors but no non-linear curves are used during resistance measurement. If unique curve-fitting is required, this could be accomplished using the Linearize component in the Sedona component family.

10 kΩ Type II or Type III Thermistors or 20 kΩ Thermistors

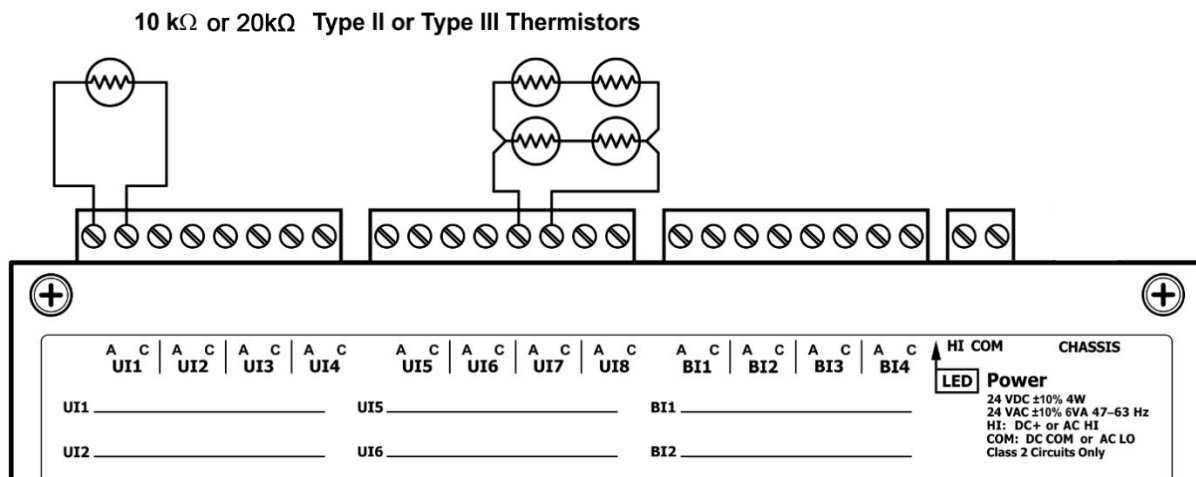


Figure 5 — Thermistor and Resistor Connections

4.4 Universal Input — Configured as a Binary Input

To sense the action of a push-button or relay, the contacts must have no applied energy, and be rated for low-voltage, low-current switching. The BASC22 provides the energy to be sensed. With a web browser, access the Main Screen, click the title link of any channel UI1–UI8. Set the Channel Type to Binary Input and the Units to NO_UNITS. As shown in (Figure 6), connect the contacts between points A and C. For common mechanical contacts, polarity is not an issue. The open-circuit voltage is 12 VDC and the short-circuit current is 0.5 mA.

For solid-state switch sensing, we recommend that an attached solid-state device have an opto-isolated open-collector NPN transistor output stage with a collector-emitter output voltage (V_{ce}) of at least 30 V. Output sinking current should be greater than 5 mA. The collector-emitter saturation voltage should be less than 0.2 V when sinking 2 mA. The emitter must be connected to point C and the collector to point A (the more positive point). The BASC22 sets the low-threshold to 3 V and the high-threshold to 6 V. When a contact is made or the solid-state switch is on (resulting in a saturated output), the voltage at point A is close to zero volts. The corresponding LED for that channel will be on. If the contact is opened or the solid-state switch is turned off, the voltage at point C quickly rises towards 12 V. Once the voltage passes the 6 V high-threshold, the “off” state is sensed. To return to the “on” state, this voltage must fall below 3 V. The three-volt difference is called hysteresis. There is no need to add an external pull-up resistor when using a contact closure input.

Contact closure inputs are sampled every 10 ms and for a change of state to be recognized, the input state must be stable for two consecutive samples. Therefore, contact closure response is 20 ms.

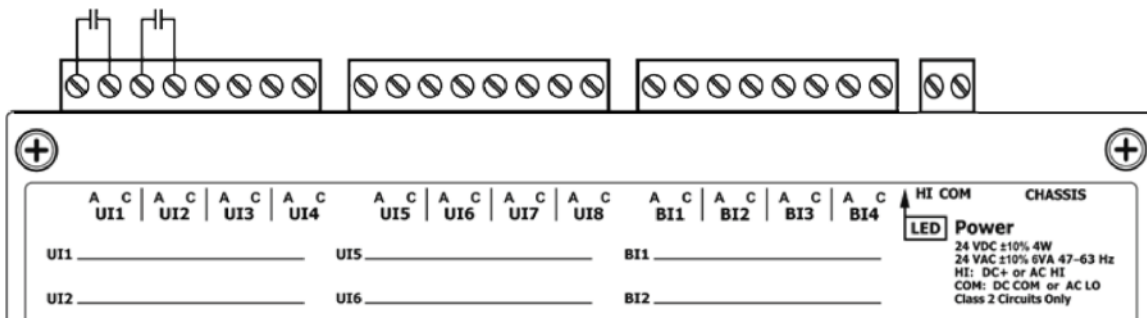


Figure 6 — Binary Input Connections

4.5 Universal Input — Configured as Pulse Input

When an input (UI1 – UI4) is configured for Pulse Input, a pulse rate up to 40 Hz can be measured, assuming a 50% duty cycle. The pulse device could have an active output or a passive output requiring a pull-up resistor. Both situations can be accommodated.

The input voltage range is 0–10 VDC and the installer can set both the low-threshold and high-threshold on the Pulse Input web page. The difference in the two thresholds is the hysteresis. You can detect a sinusoidal input by setting the high threshold below the positive peak and the low threshold above the negative peak. Setting both thresholds well away from the sinusoidal waveform peaks offers some noise immunity. It is not necessary for the input to swing from zero to 10 V. Any substantial swing within this range can be detected. The input impedance using Pulse Input is 100 k Ω when using active sensors. Connect the output of the pulse device to point A and the common to point C as shown in (Figure 7).

If the pulse device has a passive output requiring a pull-up resistor, the BASC22 can provide a 10 k Ω resistor to +12 VDC by checking a box on the configuration page. The two threshold values can still be set as needed.

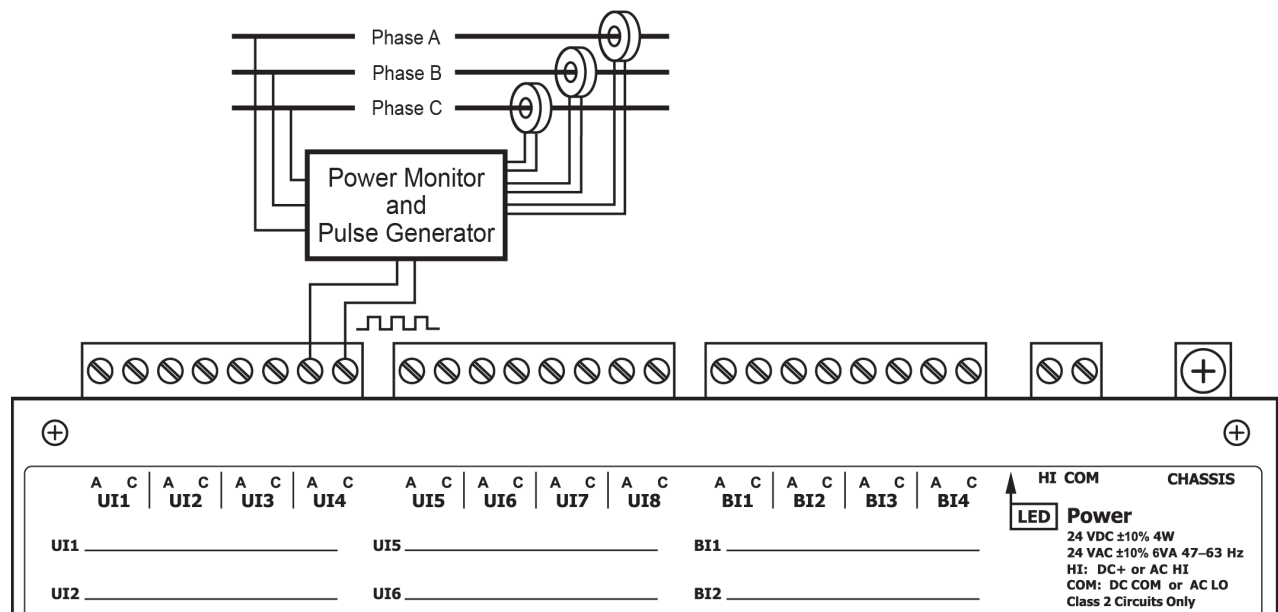


Figure 7 — Pulse Input Connections

4.6 Analog Outputs

Voltage in the range of 0–10 VDC can be outputted by assigning analog outputs (AO1–AO4). For analog output DC voltage, the output voltage is applied to point **A** with respect to **C** (common). There is no configuration necessary for analog outputs.

(Figure 8) illustrates connections to a proportional damper actuator but with a separate power supply. The damper requires a 0–10 V command signal which can easily be accomplished by the BASC22. If position feedback is to be measured, connect the actuator output signal to UI1 and configure the universal input for analog input.

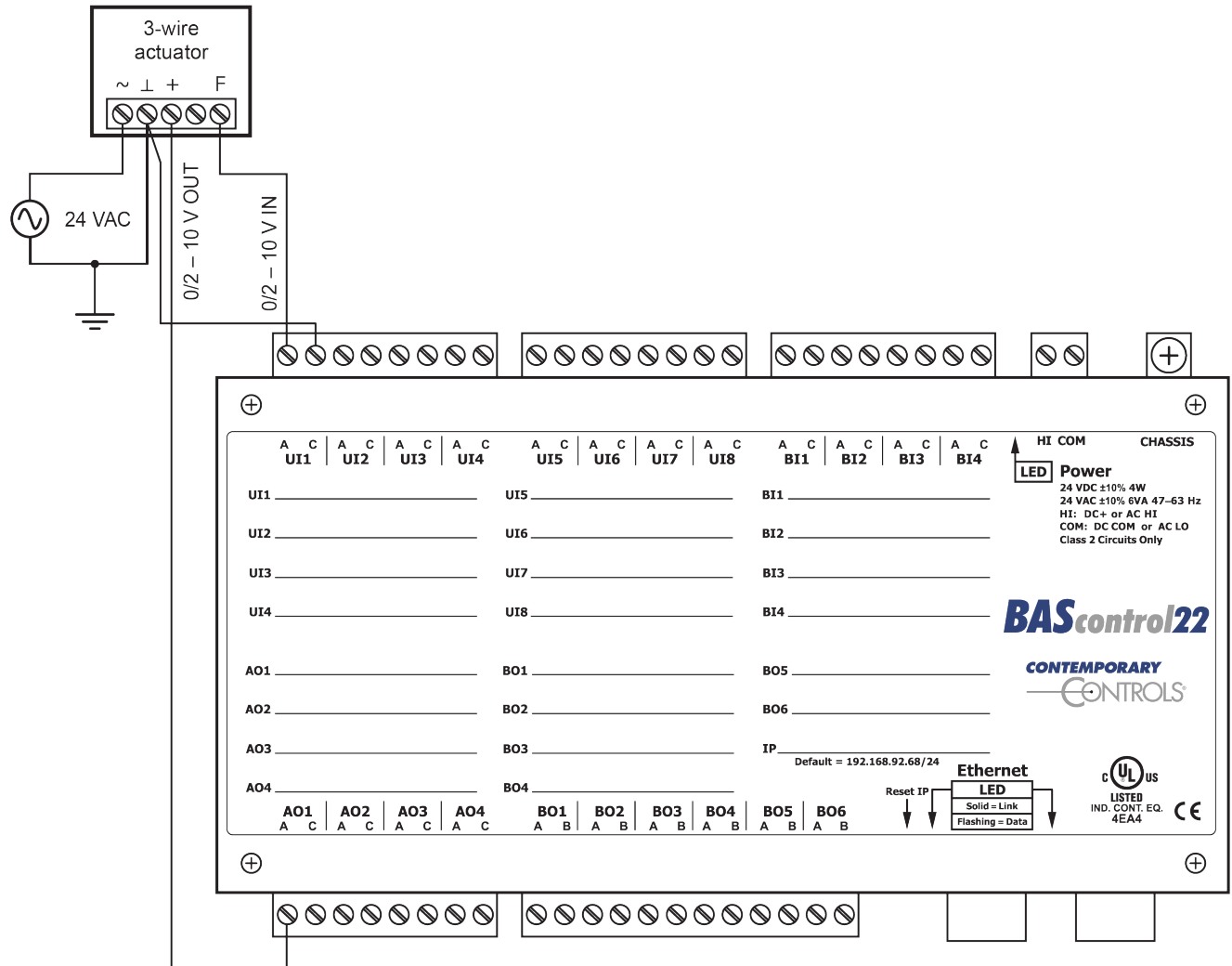


Figure 8 — Analog Output Connections

4.7 Binary Outputs

As shown in (Figure 9), six binary outputs (BO1 – BO6) are available. Each output requires an external power source. Two types of binary devices can be controlled. The BASC-22 provides six normally-open form “A” relay contacts that are rated at 30 VAC/VDC and 2 A.

Each output voltage is applied to point **A** with respect to point **B** and is intended for Class 2 circuits only.

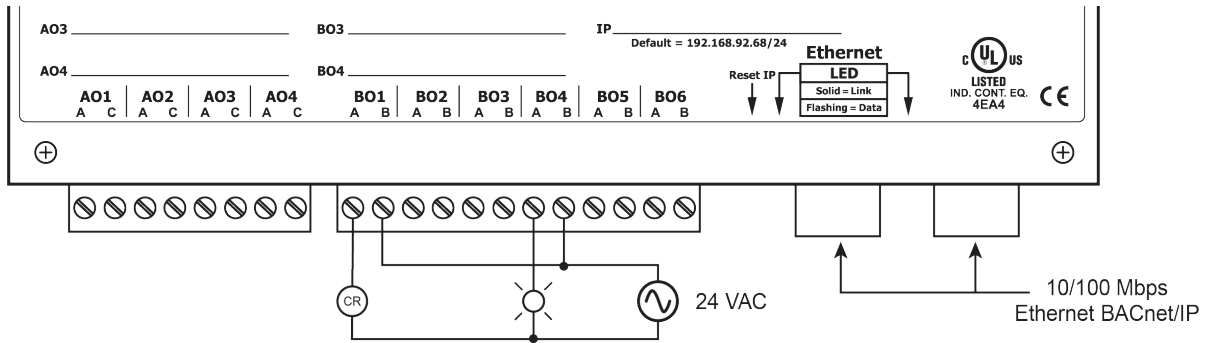


Figure 9 — Binary Output Connections

4.8 Binary Inputs

To sense the action of a push-button or relay, the contacts must have no applied energy, and be rated for low-voltage, low-current switching. The BASC22 provides the energy to be sensed. With a web browser, access the Main Screen, click the title link of any channel UI1–UI8. Set the Channel Type to Binary Input and the Units to NO_UNITS. As shown in (Figure 10), connect the contacts between points **A** and **C**. For common mechanical contacts, polarity is not an issue. The open-circuit voltage is 12 VDC and the short-circuit current is 0.5 mA.

For solid-state switch sensing, we recommend that an attached solid-state device have an opto-isolated open-collector NPN transistor output stage with a collector-emitter output voltage (V_{ce}) of at least 30 V. Output sinking current should be greater than 5 mA. The collector-emitter saturation voltage should be less than 0.2 V when sinking 2 mA. The emitter must be connected to point **C** and the collector to point **A** (the more positive point). The BASC22 sets the low-threshold to 3 V and the high-threshold to 6 V. When a contact is made or the solid-state switch is on (resulting in a saturated output), the voltage at point **A** is close to zero volts. The corresponding LED for that channel will be on. If the contact is opened or the solid-state switch is turned off, the voltage at point **C** quickly rises towards 12 V. Once the voltage passes the 6 V high-threshold, the “off” state is sensed. To return to the “on” state, this voltage must fall below 3 V. The three-volt difference is called hysteresis. There is no need to add an external pull-up resistor when using a contact closure input.

Contact closure inputs are sampled every 10 ms and for a change of state to be recognized, the input state must be stable for two consecutive samples. Therefore, contact closure response is 20 ms.

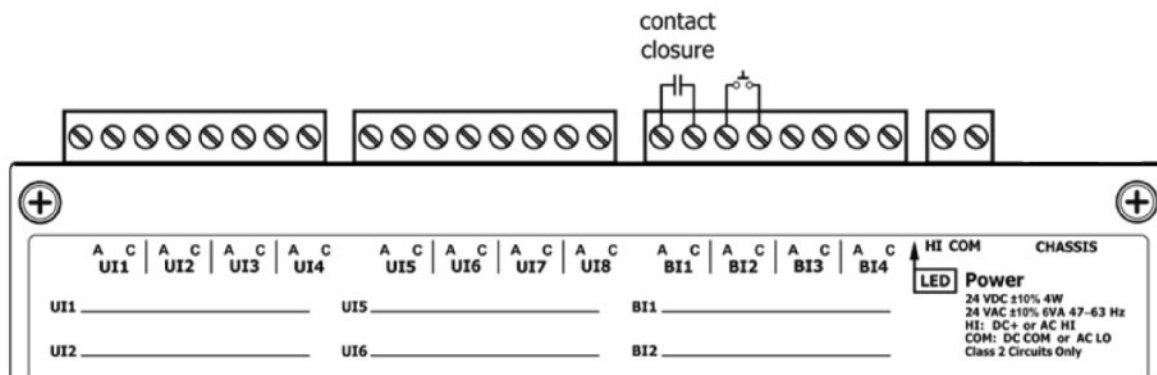


Figure 10 — Binary Input Connection

4.9 LEDs

To aid in troubleshooting, several LEDs have been provided.

The BASC22 has an Ethernet LED that glows green when properly linked to equipment operating at 10/100 Mbps and indicates activity by flashing.

LEDs to indicate I/O status follow the behaviour described in Table 2 below:

If the I/O channel is ...	Green indicates ...
a Relay output	the coil is energized.
an Analog output	the command is greater than zero.
a Contact input	the contact is made.
a Pulse input	the input state changed.
a Thermistor	thermistor is connected.
a Resistor	resistor is connected.
an Analog input	the signal is greater than 1% of span.

Table 2 — LED Behaviour

5 Configuration via a Web Browser

5.1 General Considerations

Some configuration of the BASC22 is required. This is accomplished while the unit is connected to a computer running a web browser (Javascript-enabled) that accesses the unit's built-in web server.

5.1.1 Ethernet Port Auto-Negotiation

The Ethernet ports on the BASC22 offer full auto-negotiation. A single cable links two Ethernet devices. When these devices auto-negotiate, the data rate will be 100 Mbps only if both are capable of that speed. Likewise, full-duplex will only be selected if both can support it. If only one device supports auto-negotiation, then it will default to half-duplex mode and match the data rate of the non-auto-negotiating device.

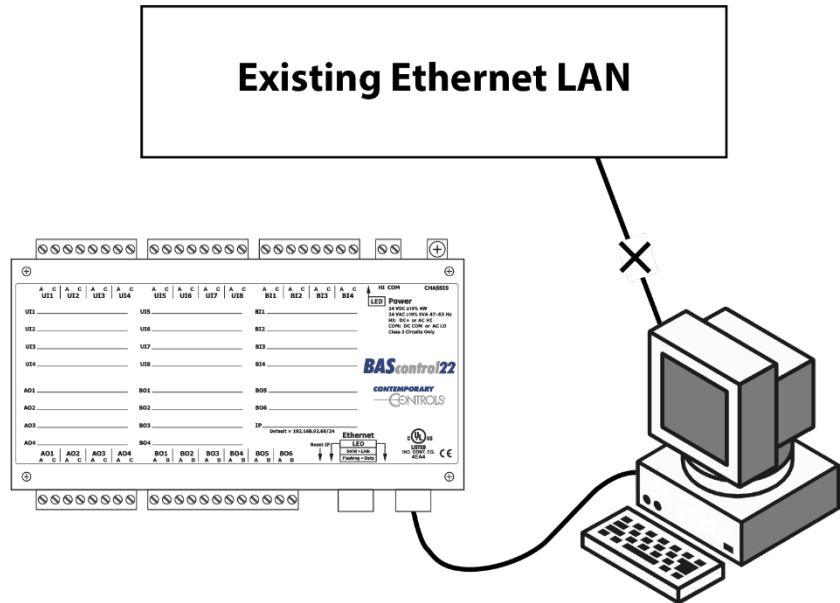


Figure 11 — Setup for Initial IP Address Configuration by Web Browser

Auto-MDIX (Auto-Crossover)

When interconnecting two Ethernet devices, a straight-through cable or crossover cable can be used — but if one device uses Auto-MDIX, the cable wiring does not matter; Auto-MDIX adjusts for either type.

Reset Switch

To reset the BASC22 to its default values of the IP address (192.168.92.68) and netmask (/24 or 255.255.255.0), press the reset switch (see Figure 11 for location) while the unit is powered. Follow the instructions under the section 5.1.2.

5.1.2 Secure Login and Reset (Recovery Mode)

To reset the unit to its default IP values and login credentials, press the reset switch for over 10 seconds or hold the reset switch while the unit is powered. (See Figure 1 for the switch location.) This forces the **recovery mode** — confirmed by alternate flashing of UI1-UI4 and AO1-AO4 channel LEDs. This action restores the default settings for the user ID (admin), password (admin), IP address (192.168.92.68) and subnet mask (255.255.255.0). Access the main web page and make changes to the IP configuration and login credentials, and then click **Restart Controller** to exit recovery mode.

5.1.3 Web Server Initial Access

5.1.3.1 Web Server

The BASC22 contains an interactive web server, accessible from any Internet-compatible PC on the local network. It is compatible with all recent browsers. It is factory programmed with a default IP address of 192.168.92.68 and a Class C subnet mask of 255.255.255.0. Once configured, changing its IP address is strongly encouraged.

5.1.3.2 Initial Access

The hardware arrangement for initially setting the BASC22 IP address appears in (Figure 11). The PC should be temporarily disconnected from the Ethernet LAN in case the BASC22's default address matches that of a device on the existing LAN. The procedure for altering the IP address creates a temporary LAN composed of nothing but the BASC22, the PC used to configure it and a CAT5 cable connecting the two. Since the BASC22 supports Auto-MDIX, either straight-through or crossover cable can be used.

For initial configuration, the PC chosen for the procedure should temporarily have its IP address modified as shown in (Figure 12) — which employs a Windows® 7 example.

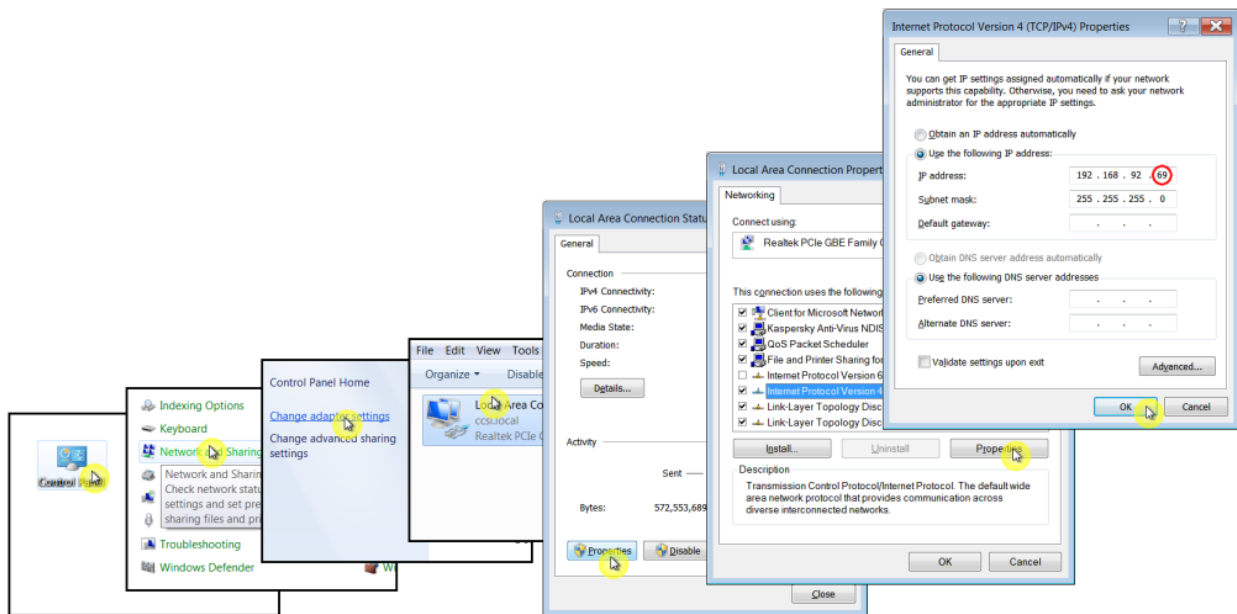


Figure 12 — Steps for Changing the IP Address of the PC Used for Setup

(Figure 12) uses an IP address for the PC of 192.168.92.69, but the final quad of the address could be any value 1–254 except for 68 which is used by the BASC22. After setting the IP address of the PC to the same LAN as the BASC22, a browser can access the BASC22 default IP address.

When first accessing the BASC22, you must provide the default login credentials. We strongly advise you to change these values as discussed in Section 5.1.4.4.

(Figure 13) displays the Main Page that appears after you first login to the BASC22. This page displays channel data in five columns:

- Universal Inputs (Channels UI1–UI8)
- Binary Inputs (Channels BI1–BI4)
- Analog Outputs (Channels AO1–AO4)
- Binary Outputs (Channels BO1–BO6)

Each of the 22 channels has three features:

- title link — If clicked, it displays a configuration screen (see Figure 18).
- data field* — You can read a value or enter one if forced (see Section 5.1.10).
- checkbox* — If checked, you can force the channel value (see Section 5.1.10).

*** You need to check the box before making a change.**

Checkboxes Enable Forcing

Universal Inputs		Binary Inputs		Analog Outputs		Binary Outputs	
UI1	Frig_TP NaN (77°F) <input type="checkbox"/>	UI5	Universal Input 5 0.004 <input type="checkbox"/>	BI1	Binary Input 1 0 <input type="checkbox"/>	AO1	Analog Output 1 0.000 <input type="checkbox"/>
UI2	Frig_AL NaN (77°F) <input type="checkbox"/>	UI6	Universal Input 6 0.004 <input type="checkbox"/>	BI2	Binary Input 2 0 <input type="checkbox"/>	AO2	Analog Output 2 0.000 <input type="checkbox"/>
UI3	Universal Input 3 0.008 <input type="checkbox"/>	UI7	Universal Input 7 0.004 <input type="checkbox"/>	BI3	Binary Input 3 0 <input type="checkbox"/>	AO3	Analog Output 3 0.000 <input type="checkbox"/>
UI4	Universal Input 4 0.006 <input type="checkbox"/>	UI8	Universal Input 8 0.003 <input type="checkbox"/>	BI4	Binary Input 4 0 <input type="checkbox"/>	AO4	Analog Output 4 0.000 <input type="checkbox"/>
						BO1	AL_Lite 0 <input type="checkbox"/>
						BO2	Binary Output 2 0 <input type="checkbox"/>
						BO3	Binary Output 3 0 <input type="checkbox"/>
						BO4	Binary Output 4 0 <input type="checkbox"/>
						BO5	Binary Output 5 0 <input type="checkbox"/>
						BO6	Binary Output 6 0 <input type="checkbox"/>

BAScontrol22

System Configuration System Status Set Time Virtual Points Web Components Restart Controller

Auto Refresh OFF

Figure 13— Main Page

Six buttons occupy the bottom of the Main Page. They function as follows:

- **System Configuration** described in Section 5.1.4
- **System Status** described in Section 5.1.5
- **Set Time** described in Section 5.1.6
- **Virtual Points** described in Section 5.1.10
- **Web Components** described in Section 5.1.7
- **Restart Controller** described in Section 5.1.8
- **Auto Refresh (On/Off)** described in Section 5.1.9

5.1.4 System Configuration

Clicking the *System Configuration* button shown in the lower-left area of (Figure 13) opens the window depicted in (Figure 14) — where you can configure the settings discussed in the next four sections.

The screenshot shows a web-based configuration window with four main sections and two buttons at the bottom.

- IP Configuration:** IP Mode (Static IP), IP Address (10.0.0.204), Netmask (255.255.255.0), Gateway (10.0.0.1), Primary DNS (8.8.8.8), Secondary DNS (8.8.4.4).
- BACnet Device Configuration:** Device Object Name (Heat Cool Box), Device Instance (2749204), UDP Port (47808), BBMD IP Address (0.0.0.0), BBMD Reg Time (100).
- Enable Protocol:** BACnet (checked), Sedona (checked), FTP (unchecked).
- Authentication:** User Name (admin), Password (.....).

At the bottom, there are 'Close' and 'Submit' buttons. A note box states: 'NOTE: You must click the Submit button to store any changes. Changes will not take effect until the controller has been restarted. You can restart the controller from the main page.'

Figure 14 — System Configuration Window

Four sections and two special buttons exist on the System Configuration screen:

- IP Configuration is discussed in Section 5.1.4.1.
- BACnet Device Configuration is discussed in Section 5.1.4.2.
- Enable Protocol is discussed in Section 5.1.4.3.
- Authentication is discussed in Section 5.1.4.4.

5.1.4.1 IP Configuration

As shown in (Figure 14) the following parameters can be adjusted, followed by a **Submit**:

- **IP Mode** Choose either **Static IP** (the default) or **DHCP**.
- **IP Address** Changing the default value of 192.168.92.68 is recommended.
- **Netmask** The default value of 255.255.255.0 is adequate for most users.
- **Gateway** If your Ethernet LAN has a gateway (router) enter its IP address here.
- **Primary DNS** Enter your primary domain name service address
- **Secondary DNS** Enter your secondary domain name service address

After the BASC22 has been given its initial configuration, it will be ready for use in the full original Ethernet network. The temporary network constructed in (Figure 11) should be dismantled and the PC re-configured to restore its original IP address.

5.1.4.2 BACnet Configuration

As shown on the right side of (Figure 14), the following parameters can be adjusted, followed by a **Submit**:

- **Device Object Name** You must change the default name (BAScontrol System) to be **unique** throughout the **entire BACnet internetwork**.
- **Device Instance** This 22-bit value (0–4,194,303) **must be unique** throughout the **entire BACnet internetwork**. It defaults to **2749**.
- **UDP Port** The default of 47808 should usually not be changed.
- **BBMD IP Address** Enter the address of the BBMD with which the BASC22 will perform Foreign Device Registration (FDR) — if the BBMD is not in the same subnet as the BASC22.
- **BBMD Reg Time** Specify the seconds between successive FDR registrations. Default is 100.

5.1.4.3 Enable Protocol

On the right side of (Figure 14), three functions can be adjusted, followed by a **Submit**:

- **BACnet** Disabling BACnet (on by default) will free more memory for Sedona.
- **Sedona** Disabling Sedona (on by default) will free more memory for BACnet.
- **FTP** If needed, enable FTP (which by default is unchecked). If you select FTP, BACnet and Sedona are automatically de-selected.

5.1.4.4 Authentication

On the right side of (Figure 14), you can use up to 63 characters to specify **User Name** and **Password**, followed by **Submit**:

- **User Name** You can change the default *admin* to any *User Name* you wish.
- **Password** You can change the default *admin* to any *Password* you wish.

Note: After checking the submit button after any change you must restart the controller from the main web page.

5.1.5 System Status

This read-only screen is displayed in (Figure 15) and reports the three items:

- **Firmware Revision** Your firmware version is listed in the upper-left corner.
- **MAC ID** The Ethernet MAC address in the middle.
- **Available Memory** This value in the upper-right corner will vary often.
- **System Message Log** is discussed in Section 5.1.5.1.

System Status

The screenshot shows the 'System Status' window with three data fields at the top and a scrollable 'System Message Log' below. The log contains system boot and configuration details.

Firmware Revision	MAC Address	Available Memory
3.1.2	00:50:DB:01:41:87	10576

```
System Message Log
BAScontrol22 : 3.1.2 : Jun 26 2015 : 09:05:05
Free memory: 99504
ERROR: Watchdog timer reset detected
Watchdog timer enabled
Refreshing chn_data.xml...done
Low memory limit= 8192
SVM starting; 48776 bytes free
Running SVM in platform mode
Sedona VM 1.2.28
buildDate: Jun 25 2015 09:23:56
endian: little
blockSize: 4
refSize: 4
IP Addr: 10.0.14.99
IP Mask: 255.255.240.0
IP Gate: 10.0.0.3
Start Responder...OK
Network initialized
RTC Time: Tue Jan 16 18:32:51 2001
bacnet-ip : 3.1.2 : Jun 25 2015 : 09:23:31
Restarting VM
```

Buttons: Clear Message Log, Close, Refresh

Figure 15 — System Status Window

5.1.5.1 System Message Log

Various items are reported in Figure 15 after a power up cycle. Information is used by technical support at Contemporary Controls. The information can be cleared by checking the Clear Message log button. To refresh the page, click on Refresh.

5.1.6 System Time

Clicking the *Set Time* button shown in the lower-right area of (Figure 13) opens the window depicted in (Figure 16) — where you can configure these settings:

- System Time Here you can **read** the date and time or *manually* set them — **but only if you disable** the NTP option.
- NTP Configuration is discussed in Section 5.1.6.1.
- DST Configuration is discussed in Section 5.1.6.2.

5.1.6.1 NTP (Network Time Protocol)

NTP is a protocol which synchronizes clocks to UTC (Coordinated Universal Time). By default as shown in the upper-right portion of (Figure 16), NTP is disabled, but an NTP server domain name is shown. When NTP is enabled, the NTP server will be queried and the BASC22 time will be synchronized at startup — and at midnight during each refresh period.

- **NTP Enable** You can enable Network Time Protocol (disabled by default).
- **NTP Server** Change the default IP domain name (pool.ntp.org), if needed.
- **Time Zone** Set the Time Zone to match that of your location.
- **NTP Refresh (Days)** Change the default value (1) if needed.

NTP does not support local time zone changes such as for DST (Daylight Saving Time, aka Summer Time).

5.1.6.2 DST (Daylight Saving Time, aka Summer Time)

DST Configuration is provided as displayed in the lower-right portion of (Figure 16), because NTP cannot adjust them. Drop-down menus allow you to set the date and the time after midnight for enabling and disabling DST. Be sure to click Update *NTP & DST* after making changes.

System Time		NTP Configuration	
Year	<input type="text" value="2016"/>	NTP	<input type="text" value="ENABLED"/>
Month	<input type="text" value="July"/>	NTP Server	<input type="text" value="pool.ntp.org"/>
Day	<input type="text" value="11"/>	Time Zone	<input type="text" value="Central:UTC-6"/>
Hour	<input type="text" value="10"/>	NTP Refresh (Days)	<input type="text" value="1"/>
Minute	<input type="text" value="18"/>	DST Configuration	
PM	<input type="checkbox"/>	Daylight Saving	<input type="text" value="ENABLED"/>
<small>If enabled, the NTP server will be queried and the time will set at startup, and again after each refresh period.</small>		DST ON	DST OFF
		Month	<input type="text" value="March"/> <input type="text" value="Novembe"/>
		Day of Month	<input type="text" value="2nd SUN"/> <input type="text" value="1st SUN"/>
		Hour	<input type="text" value="2"/> <input type="text" value="2"/>
NTP Success			
<input type="button" value="Close"/>		<input type="button" value="Submit"/>	

Figure 16 — System Time Window

5.1.7 Web Components (WC01–WC48)

Web components provide a means of interacting with the Sedona wire sheet via a web browser versus using a Sedona tool. These are custom components developed by Contemporary Controls which are provided in the CControls_BASC22_Web kit. Configuring web components is accomplished using a Sedona tool by first setting the target component as an input or output (integer, float or Boolean). In addition, high and low limits can be entered for wire sheet inputs. Returning to the web pages, for every web component (WC), a description and value can be entered. The description field is only used as an aid to the systems integrator in understanding the function of the component. If the component is configured as a wire sheet input, the assigned limits will restrict the range of the variable's entry. This eliminates the need to add limit logic on the wire sheet. For wire sheet outputs, limits are ignored and not displayed. A green tag means that the web component has been placed on the wire sheet.

Web Components

<PREV
NEXT>

	Description	Value	Wire Sheet	Min	Max
WC09	Temporary Occupancy Time (TmpOcc)	2.000000	Input	0.000000	100.000000
WC10	Outside Air Heating Lockout (HLock)	120.000000	Input	0.000000	160.000000
WC11	Outside Air Cooling Lockout (CLock)	40.000000	Input	0.000000	100.000000
WC12	Fan Mode (0=Auto, 1=ON, 2=Smart)	2.000000	Input	0.000000	2.000000
WC13	Alarm Frost (0=GRN, 1=YEL, 2=RED)	0.000000	Input	0.000000	100.000000
WC14	Alarm Filter (0=GRN, 1=YEL, 2=RED)	0.000000	Input	0.000000	100.000000
WC15	Alarm Service (0=GRN, 1=YEL, 2=RED)	0.000000	Input	0.000000	100.000000
WC16	Monday Occupied	390.000000	Input	0.000000	1439.000000

Auto Refresh OFF
NOTE: A GREEN label indicates that the component has been placed on the wire sheet.
Close
Submit

Figure 17 — Web Components Screen Showing Example Data

5.1.8 Restart Controller

Click this button to restart the BASC22 that is currently targeted by your browser. Extreme care should be exercised when resetting a commissioned controller.

5.1.9 Auto Refresh (On/Off)

Click this button to update the BASC22 values currently displayed by your browser. With **Auto Refresh** ON, values periodically update. If OFF, there is no updating. Making changes to the page required Auto Refresh to be in "OFF" state.

5.1.10 Virtual Points (VT01-VT24)

The 24 virtual points have their own web page. Virtual points allow communication to and from a BACnet client to the BASC22 wire sheet. Virtual points are usually setpoints, calculated data or status points that do not impact the real input/output points that exist on the controller. The first eight virtual points (VT01-VT08) reside in persistent memory for up to seven days when power is removed. The remaining points are not retentive. A GREEN tag means that the virtual point has been placed on the wire sheet.

Detailed information on configuring virtual components can be found in 5.2.8.

5.1.11 Forcing I/O Points from the Main Web Page

There is one feature available on the main web page that could be useful for checkout but must be done with great care. Both input and output points can be forced to states and values different from program generated values. Looking at the main web page, it is possible to both read and write values for the 22 real I/O points and 24 virtual points. There is no issue with reading points — only writing points. Just to the right of the value field is a checkbox. If you **hover your cursor** over this checkbox, this tool tip will display: **Click to Force Channel**. To change an input or output value, check this box before making a value change. This override value will remain until the checkbox is unchecked. The same can be done to outputs.

Caution: Use great care when forcing an input or output on a commissioned system to avoid damage to equipment or process or injury to personnel.

5.2 Channel Configuration

To configure a real input/output channel, access the Main Page (Figure 13), click on the title link for the channel of interest and make adjustments in the new screen that appears (Figure 18). The upper section of the new screen displays BAS Channel Configuration options; the lower section displays BACnet Object Configuration options. Only the universal inputs must be configured in the upper portion of the screen. The channel identity is confirmed by the large channel tag near in the upper-right corner of the new screen. Clicking the **Submit** button registers your changes which become effective immediately. If you close the configuration screen without clicking the **Submit** button, **your changes will be lost**.

The **BAS Channel Configuration** (upper) section of each configuration screen displays:

- **Channel Type**—If more than one option is available, choose the desired type.
- **Channel Number**—This *read-only* value confirms the selected channel.

The **BACnet Object Configuration** (lower) section of the screen displays:

- **Object Instance**—This is the **read-only** value automatically assigned for this channel.
- **Object Name**—Assign the channel a **unique** name, using up to 63 characters.
- **Object Type**— This will match the selected **Channel Type** (see above) except for Virtual Points which must be either Analog Value or Binary Value.
- **Object Description**—Describe the device as you wish, using up to 63 characters.
- **Units**—Choose the appropriate unit from the list of standard BACnet units.

- **COV Increment**—Enter the amount of change (**0** for **any** change) at which a COV message will be sent to subscribers. (Ignored for binary objects.) You can subscribe to 14 binary and 2 analog channels. Additional subscription requests will be denied.
- **Submit** button—This will immediately apply your configuration.
- **Close** button—The window closes whether or not the configuration is saved.

BAS Channel Configuration

Channel Type

Temperature Offset

Temperature Units Out of Bounds Value

UI1

BACnet Object Configuration

Object Instance

Object Name

Object Type

Object Description

Units

COV Increment

Figure 18 — Sample Configuration Screen

5.2.1 Universal Input — Configured as Analog Input (Channels UI1–UI8)

You can measure 0–10 V with UI1–UI8 as follows:

- Access the Main Page (Figure 13) and click a title link from among UI1–UI8.
- Under **BAS Channel Configuration** in the new page that appears, set the **Channel Type** to *Analog Input*. An example appears in (Figure 19).
- Under **BACnet Object Configuration**, the **Units** value defaults to *VOLTS*. Change if necessary.
- Attach your device to the pair of BASC22 pins for the chosen channel — so that the more positive connection is to pin **A** and the more negative to pin **C**.

The screenshot shows a web interface with two main sections. The top section, titled "BAS Channel Configuration", has a "Channel Type" dropdown menu set to "Analog Input" and a "UI1" label in the top right corner. The bottom section, titled "BACnet Object Configuration", contains several input fields: "Object Instance" with the value "1", "Object Name" with "Universal Input 1", "Object Type" dropdown set to "Analog Input", "Object Description" with "Default Bacnet Description", "Units" dropdown set to "VOLTS", and "COV Increment" with the value "0". At the bottom of this section are "Close" and "Submit" buttons.

Figure 19 — Universal Input Configured as Analog Input

5.2.2 Universal Input — Configured as Binary Input (Channels UI1–UI8)

You can accept a binary input with any channel UI1–UI8 as follows:

- On the Main Page (Figure 13), click a title link from among UI1–UI8.
- Under **BAS Channel Configuration** in the new page that appears (Figure 20), set the **Channel Type** to *Binary Input*.
- In the **BACnet Object Configuration** (lower) section of the screen, all items are as described in Section 5.2 above — but **Units** defaults to *NO_UNITS*.
- Attach your device to the pair of BASC22 pins for the chosen channel — so that the more positive connection is to pin **A** and the more negative to pin **C**.

The screenshot shows a web interface with two main sections. The top section, titled "BAS Channel Configuration", has a "Channel Type" dropdown menu set to "Binary Input" and a "UI1" label on the right. The bottom section, titled "BACnet Object Configuration", contains several input fields: "Object Instance" with the value "1", "Object Name" with "Universal Input 1", "Object Type" dropdown set to "Binary Input", "Object Description" with "Default Bacnet Description", "Units" dropdown set to "NO_UNITS", and "COV Increment" with the value "0". At the bottom right of this section are "Close" and "Submit" buttons.

Figure 20 — Universal Input Configured as Binary Input

5.2.3 Universal Input — Configured as Pulse Input (Channels UI1–UI4)

Any channel UI1–UI14 can be a **Pulse Input** for pulse trains in the range of 0–40 Hz. You can accept a pulse input with any channel UI1–UI4 as follows:

- On the Main Page (Figure 13), click a title link from among UI1–UI4.
- Under **BAS Channel Configuration** in the new page that appears (Figure 21), set the **Channel Type** to *Pulse Input*. Additional fields will appear ...
- In the **Maximum Value** field, set the desired limit for the accumulated pulse count. It defaults to the absolute maximum of 16,777,215. To **reset** the accumulator value to zero, momentarily set Reset = true in the universal input Sedona component using a Sedona Tool.
- Set the **Pull Up Resistor** parameter to *Enabled*, if used with a passive device otherwise have it disabled.

Note: In order The **BAS Channel Type** is *Pulse Input*, but the **BACnet Object Type** is *Analog Input*. This is because the BACnet object is an accumulator. **Units** can be changed from the default **NO_UNITS**.

The screenshot shows two configuration forms for channel UI1. The top form, titled "BAS Channel Configuration", includes fields for Channel Type (set to Pulse Input), Maximum Value (16777215), Pull Up Resistor (Enabled), High Threshold (7.5), and Low Threshold (2.5). The bottom form, titled "BACnet Object Configuration", includes fields for Object Instance (1), Object Name (Universal Input 1), Object Type (Analog Input), Object Description (Default Bacnet Description), Units (NO_UNITS), and COV Increment (0). There are "Close" and "Submit" buttons at the bottom right.

Figure 21 — Universal Input Configured as Pulse Input

5.2.4 Universal Input — Configured as Thermistor or Resistance Input (Channels UI1–UI8)

Channels UI1–UI8 can be used as Type II or Type III 10 k Ω **Thermistor** Inputs or a 20 k Ω **Thermistor** input or a **Resistance**. The BACnet object type will be **Analog Input**.

You can accept a thermistor input with any channel UI1–UI8 as follows:

- On the Main Page (Figure 13), click a title link from among UI1–UI8.
- Under **BAS Channel Configuration** in the new page that appears (Figure 22 is an example of a Type III screen), set the **Channel Type** to *Therm 10kT2* or *Therm 10kT3* or *Therm 20k*. Additional fields then appear ...
- The **Temperature Offset** parameter is only used as needed. If you determine that your thermistor yields an inaccurate result, enter a positive or negative offset value here to correct your thermistor reading.
- **Temperature Units** — the *Fahrenheit* default can be changed to *Celsius*. Note that the **Units** parameter under **BACnet Object Configuration** near the bottom of the screen automatically replicates your setting of the **Temperature Units** parameter.
- **Out of Bounds Value** — this is the temperature value you want assumed if an open thermistor condition occurs. A fault condition will be indicated in the universal input Sedona component.

You can accept a resistance input with any channel UI1–UI8 as follows:

- On the Main Page (Figure 13), click a title link from among UI1–UI8.
- Under **BAS Channel Configuration** in the new page that appears, set the **Channel Type** to *Resistance*. The **Units** field automatically selects *OHMS*.
- Open Circuit Value – This will be the value display under open circuit conditions

The screenshot shows a web interface with two main sections: "BAS Channel Configuration" and "BACnet Object Configuration".

BAS Channel Configuration:

- Channel Type:** Therm 10kT3 (dropdown menu)
- Temperature Offset:** 0 (text input)
- Temperature Units:** Fahrenheit (dropdown menu)

BACnet Object Configuration:

- Object Instance:** 1 (text input)
- Object Name:** Universal Input 1 (text input)
- Object Type:** Analog Input (dropdown menu)
- Object Description:** Default Bacnet Description (text input)
- Units:** DEGREES_FAHRENHEIT (dropdown menu)
- COV Increment:** 0 (text input)

At the bottom right, there are "Close" and "Submit" buttons. A "UI1" label is visible in the top right corner of the form area.

Figure 22 — Thermistor Input Configuration

5.2.5 Binary Inputs (Channels BI1–BI4)

You can accept a binary input with any channel BI1—BI4 as follows:

- On the Main Page (Figure 13), click a title link from among BI1-BI4.
- Under **BAS Channel Configuration** in the new page that appears (Figure 23), the **Channel Type** should be *Binary Input* by default.
- In the **BACnet Object Configuration** (lower) section of the screen, all items are as described in Section 5.2 above but **Units** defaults to *NO_UNITS*.
- Attach your device to the pair of BASC22 pins for the chosen channel so that the more positive connection is to pin **A** and the more negative to pin **C**.

The screenshot shows a web interface for configuring a binary input. It is divided into two main sections: "BAS Channel Configuration" and "BACnet Object Configuration".

BAS Channel Configuration:

- Channel Type:** A dropdown menu set to "Binary Input".
- Channel ID:** "BI1" is displayed in large blue text on the right.
- Buttons:** "Submit" and "Close" buttons are located on the right side.

BACnet Object Configuration:

- Object Instance:** A text input field containing the number "9".
- Object Name:** A text input field containing "Binary Input 1".
- Object Type:** A dropdown menu set to "Binary Input".
- Object Description:** A text input field containing "Default Bacnet Description".
- Units:** A dropdown menu set to "NO_UNITS".
- COV Increment:** A text input field containing "0".

Figure 23 — Binary Input Configuration

5.2.6 Analog Outputs (Channels AO1–AO4)

Voltage in the range of 0–10 VDC (with up to 4 mA of current) can be outputted by assigning analog outputs. Configure an output using a web browser. For DC voltage, the output voltage is applied to point **A** with respect to **C** (common).

Any channel AO1–AO4 can be used to provide an analog voltage output. The BACnet type will be *Analog Output*. To configure an analog output:

- On the Main Page (Figure 13), click a title link from among AO1–AO4.
- Under **BAS Channel Configuration** (lower) section of the new screen that appears (Figure 24), the **Channel Type** will be *Analog Output* (read-only).
- Default Value is a value used by the output, immediately after boot-up of the controller when Sedona logic or BACnet client have yet to command the output point. As soon as Sedona logic or a BACnet client write to the point, Default Value is no longer used by the output. When BACnet priorities 1 through 16 are all nullified, the output point will use Default Value set in the channel configuration web page of the output point. This value is also reported to BACnet as Relinquish Default, but cannot be written to by BACnet clients, it can only be set from the channel's web page in the BAScontrol.
- In the **BACnet Object Configuration** (lower) section of the screen, all items are as described in Section 5.2 above — but **Units** defaults to *VOLTS*.
- Attach your device to the pair of BASC22 pins for the chosen channel — so that the more positive connection is to pin **A** and the more negative to pin **C**.

The screenshot shows a web interface for configuring an analog output. It is divided into two main sections: "BAS Channel Configuration" and "BACnet Object Configuration".

BAS Channel Configuration:

- Channel Type:** A dropdown menu set to "Analog Output".
- Default Value:** A text input field containing the number "0".

BACnet Object Configuration:

- Object Instance:** A text input field containing the number "13".
- Object Name:** A text input field containing "EconDamperSignal".
- Object Type:** A dropdown menu set to "Analog Output".
- Object Description:** A text input field containing "VoltageOutput".
- Units:** A dropdown menu set to "VOLTS".
- COV Increment:** A text input field containing "0".

At the bottom right of the form, there are two buttons: "Close" and "Submit". The channel identifier "AO1" is displayed in the top right corner of the configuration area.

Figure 24 — Analog Output Configuration

5.2.7 Binary Outputs (Channels BO1–BO6)

The BASC22 can provide six binary relay outputs. The voltage and current limits for relay units are 30 VAC/VDC and 2 A. Violating these limits could damage the BASC22 and void the warranty.

Relay channels can be used as contact closures for other devices. It is common for the BASC22 binary outputs to enable the coil of interposing relays which can carry larger currents and support switching higher voltages.

Any channel BO1–BO6 can be used to provide a binary output. The BACnet type will be *Binary Output*. To configure an binary output:

- On the Main Page (Figure 13), click a title link from among BO1–BO6.
- Under **BAS Channel Configuration** (lower) section of the new screen that appears (Figure 25), the **Channel Type** will be *Binary Output* (read-only).
- **Default Value** is a value used by the output, immediately after boot-up of the controller when Sedona logic or BACnet client have yet to command the output point. As soon as Sedona logic or a BACnet client write to the point, Default Value is no longer used by the output. When BACnet priorities 1 through 16 are all nullified, the output point will use *Default Value* set in the channel configuration web page of the output point. This value is also reported to BACnet as *Relinquish Default*, but cannot be written to by BACnet clients, it can only be set from the channel's web page in the BAScontrol.
- In the **BACnet Object Configuration** (lower) section of the screen, all items are as described in Section 5.2 above. **Units** will default to *NO_UNITS*.
- Attach your device to the pair of BASC22 pins for the chosen channel — so that the more positive connection is to pin **A** and the more negative to pin **B**.

The screenshot shows a web interface for configuring a binary output. It is divided into two main sections: "BAS Channel Configuration" and "BACnet Object Configuration".

BAS Channel Configuration:

- Channel Type:** A dropdown menu set to "Relay Output".
- Default Value:** A text input field containing the number "0".

BACnet Object Configuration:

- Object Instance:** A text input field containing the number "17".
- Object Name:** A text input field containing "SfanEnable".
- Object Type:** A dropdown menu set to "Binary Output".
- Object Description:** A text input field containing "BinaryOutput".
- Units:** A dropdown menu set to "NO_UNITS".
- COV Increment:** A text input field containing "0".

At the bottom right of the BACnet Object Configuration section, there are two buttons: "Close" and "Submit".

Figure 25 — Binary Output Configuration

5.2.8 Virtual Points (Channels VT01–VT24)

There are 24 virtual point components (VT01–VT24) in the CControls_BASC22_IO kit. Virtual point components are used to link Sedona wire sheet readable/writable data to a BACnet client. BACnet clients are able to discover, read and command these Virtual Points which can be linked as an input to the wiresheet or an output from the wiresheet (Read from wire sheet / Write to wire sheet). It could be setpoint, or reset data intended for the wire sheet or calculations, or status information generated by the wire sheet. When Virtual Points are set for outputs, they can be given a Default Value in their BAS Channel Configuration. Default Value is a value used by the output, immediately after boot-up of the controller when Sedona logic or BACnet client have yet to command the output point. As soon as Sedona logic or a BACnet client write to the point, Default Value is no longer used by the output. When BACnet priorities 1 through 16 are all nullified, the output point will use *Default Value* set in the channel configuration web page of the output point. This value is also reported to BACnet as *Relinquish Default*, but cannot be written to by BACnet clients, it can only be set from the channel's web page in the BAScontrol.

Although BACnet allows for the reading of the BASC22 real input and output points — and under certain conditions the writing of real output points — virtual points have no reading or writing restrictions. Virtual points are treated by BACnet as either a binary variable (BV) or analog variable (AV) while real points appear as binary inputs (BI), analog inputs (AI), binary outputs (BO) or analog outputs (AO). The BASC22 logic engine reads the state of its inputs (AI and BI) and outputs (AO and BO), executes logic, and then sets outputs (AO and BO) accordingly. In a similar manner, a BACnet client can “read” the BASC22’s real inputs and will attempt to “write” to the BASC22’s real outputs. AVs and BVs are a bit different in that they can be configured to be either an input to the BACnet client or an output from the BACnet client. Therefore, we need to establish rules for the use of AVs and BVs.

If a BACnet client is to write intermediate data to the Sedona wire sheet such as a command, we would assign a VT to input this data from the wire sheet so using our Sedona tool we would configure the VT’s WireSheet slot to Input to Wire Sheet. This will result in a channel type (Chn Type) of “float in” or “binary in” depending upon the AV or BV selection on the VT’s channel configuration.

If a BACnet client is to read intermediate data from the Sedona wire sheet such as status, we would assign a VT to output this data to the wire sheet so using our Sedona tool configure the VT’s WireSheet slot to Output from Wire Sheet. This will result in a channel type (Chn Type) of “float Output” or “binary Output” depending upon the AV or BV selection on the VT’s channel configuration.

Next we access the Virtual Points web page and click on the title link of a particular virtual point of interest to gain access to its configuration page. From the Object Type parameter under BACnet Object Configuration, select either Analog Variable or Binary Variable. Enter a unique Object Name and if desired enter an Object Description or even change the Units. Notice that the radio button Read from Wire Sheet or Write to Wire Sheet reflects the point of view of the BACnet client. This can only be changed by the Sedona tool.

The screenshot shows the configuration interface for a Virtual Point (VT01). It is split into two main sections: 'BAS Channel Configuration' and 'BACnet Object Configuration'.
In the 'BAS Channel Configuration' section, the 'Channel Type' is set to 'Virtual' and the 'Default Value' is '0'.
In the 'BACnet Object Configuration' section, the 'Object Instance' is '201', the 'Object Name' is 'OccupyViaNetwork', and the 'Object Type' is 'Binary Value'. There are two radio buttons: 'Read from wire sheet' (unselected) and 'Write to wire sheet' (selected). The 'Object Description' is 'Virtual Point' and the 'Units' are 'NO_UNITS'. The 'COV Increment' is '0'. 'Close' and 'Submit' buttons are at the bottom right.

Figure 26 — Virtual Configuration Screen

United States
Contemporary Control
Systems, Inc.
2431 Curtiss Street
Downers Grove, Illinois 60515
USA

Tel: +1-630-963-7070
Fax: +1-630-963-0109

info@ccontrols.com

China
Contemporary Controls
(Suzhou) Co. Ltd
19F, Metropolitan Towers,
No.199 Shishan Road,
Suzhou New District,
215009 China

Tel: +86 512 68095866
Fax: +86 512 68093760

info@ccontrols.com.cn

United Kingdom
Contemporary Controls Ltd
14 Bow Court
Fletchworth Gate
Coventry CV5 6SP
United Kingdom

Tel: +44 (0)24 7641 3786
Fax:+44 (0)24 7641 3923

info@ccontrols.co.uk

Germany
Contemporary Controls GmbH
Fuggerstraße 1 B
04158 Leipzig
Germany

Tel: +49 341 520359 0
Fax: +49 341 520359 16

info@ccontrols.de

www.ccontrols.com

CONTEMPORARY CONTROLS®

April 2022

UM-BASC2200-AA2