

data SHEET



EIPE Skorpion PoE Mid-Span Injector & Splitter

Power over Ethernet (PoE) equipment adds power to the data in Ethernet wiring — so that devices such as surveillance and card access machines can be powered via standard Ethernet cabling.

PoE Mid-span Injector

PoE applications require a 48 VDC power source, but most automation systems run from 24 VAC/VDC power. If only one Ethernet-powered device (PD) needs power, the EIPE-1 can provide it. Typically the injector is inserted mid-span between a standard Ethernet switch and the PD. The EIPE-1 operates from 24 VAC/VDC to produce the required 48 VDC which it injects into the Ethernet cable to provide power and data to the PD.

- Fully powers one Powered Device (PD)
- 24 VAC/VDC power input
- Isolated 15.4 W power output

PoE Mid-span Splitter

Under certain circumstances a non-PoE compliant device can work with the use of the EIPE-2 splitter. If the end device is 10/100 Mbps Ethernet-based but requires 24 VDC to operate, the splitter will accept the combined 48 VDC and data from a power sourcing equipment (PSE) and then generate 24 VDC to provide the end device with separate data and power.

- 48 VDC power input
- 24 VDC, 10 W power output

Both Models

- IEEE 802.af compliant
- Enhanced EMC compliance
- 10BASE-T/100BASE-TX
- DIN-rail mounting
- Rugged metal enclosure
- Diagnostic LEDs
- CE mark, UL 508 listed, c-UL



EIPE-1 Injector



EIPE-2 Splitter

CTRLink®

Overview

Each mid-span model has two RJ-45 connectors. The upper connector attaches to the upstream device. The lower one attaches to the end device. Transmit and receive signals pass between the two connectors as if the mid-span device were not present.

Both mid-span models support the 802.3af protocol. Each has a rugged metal enclosure and metal DIN-rail clip for control panel mounting.

The **EIPE-1 Injector** is powered from a 24 VAC/VDC source — eliminating the need and expense of the 48 VDC power supply typically associated with PoE equipment. In many industrial control systems 24 VDC is readily available in the control panel, just like 24 VAC is available in a BAS system. Using its received power, the EIPE-1 internally generates the 48 VDC PoE power

for the Powered Device (PD) — eliminating grounded primary power concerns.

With the EIPE-1 powered up, an Ethernet cable is attached to the PD. No power is delivered to the PD until a valid 25 kΩ resistance, called the *signature*, is sensed by the EIPE-1. Once this value is sensed, the EIPE-1 applies power to the unused pairs and thereby powers the PD. Even if the total cable length is 100 m, the PD receives a minimum of 12.95 watts at its power pins.

The **EIPE-2 Splitter** is powered by 48 VDC which it uses to internally generate the 24 VDC power for the non-PoE device and eliminate any concerns about grounded primary power. The maximum output power is 10 watts.

Power Input

24 VDC 21 W or 24 VAC 38 VA half-wave regulated design allows power sharing with other half-wave devices

Injector

Input Power LED

Input Power OK indicator

Ethernet

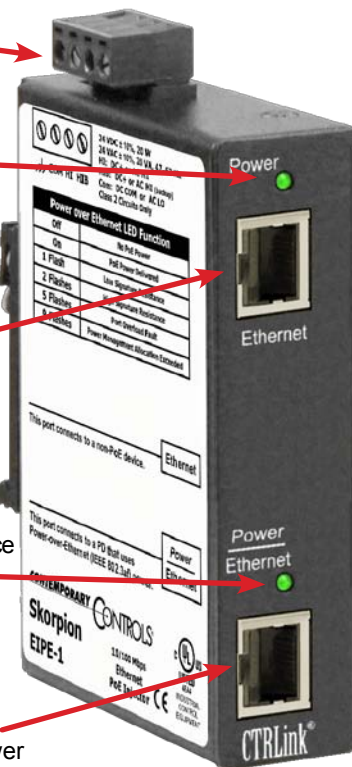
10/100 Mbps Ethernet received from a non-PoE Ethernet switch

PoE LED

1 flash = low signature resistance
2 flashes = high signature resistance
5 flashes = excessive current
Green = power being supplied

PoE Port

10/100 Mbps + power delivered to powered device



Power Output

24 VDC 10 W orange colour indicates it delivers power to the non-PoE end device

Splitter

Input Power LED

Input Power OK indicator

PoE Port

10/100 Mbps + power received from powered device

Power Sourcing Equipment Output Power LED

Indicates that 24 VDC is being supplied to the power connector

Ethernet

10/100 Mbps Ethernet delivered to a non-PoE Ethernet device



Specifications

Power Requirements

EIPE-1: 24 VDC ±10% 21 W or 24 VAC ±10% 38 VA 47–63 Hz
 EIPE-2 input power: 48 VDC±10% 12.95 W (via the RJ-45 port)
 EIPE-2 output power: 24 VDC±10% 10W minimum

Operating Temperature

0°C to 60°C

Storage Temperature

–40°C to 85°C

Relative Humidity

10–95%, non-condensing

Protection

IP30

Ethernet Communications

IEEE 802.3 10/100 Mbps data rate
 10BASE-T, 100BASE-TX physical layer
 100 m (max) CAT5 cable length total for both cables

LEDs (EIPE-1)

Power Green = power OK
 Power over Ethernet Green = power being delivered
 Flashing: 1 = low signature resistance 2 = high signature resistance
 5 = excessive current Off = no power being delivered

LEDs (EIPE-2)

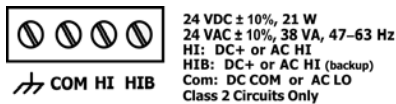
48V IN Green = acceptable input power applied
 24V OUT Green = acceptable output power available

Regulatory Compliance

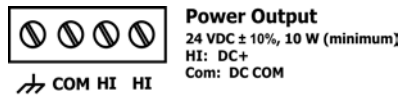
CE Mark; CFR 47, Part 15 Class A; RoHS; UL 508; c-UL 508



EIPE-1 Power Pins



EIPE-2 Power Pins

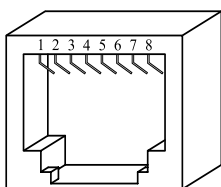


RJ-45 Connector Pin Assignments

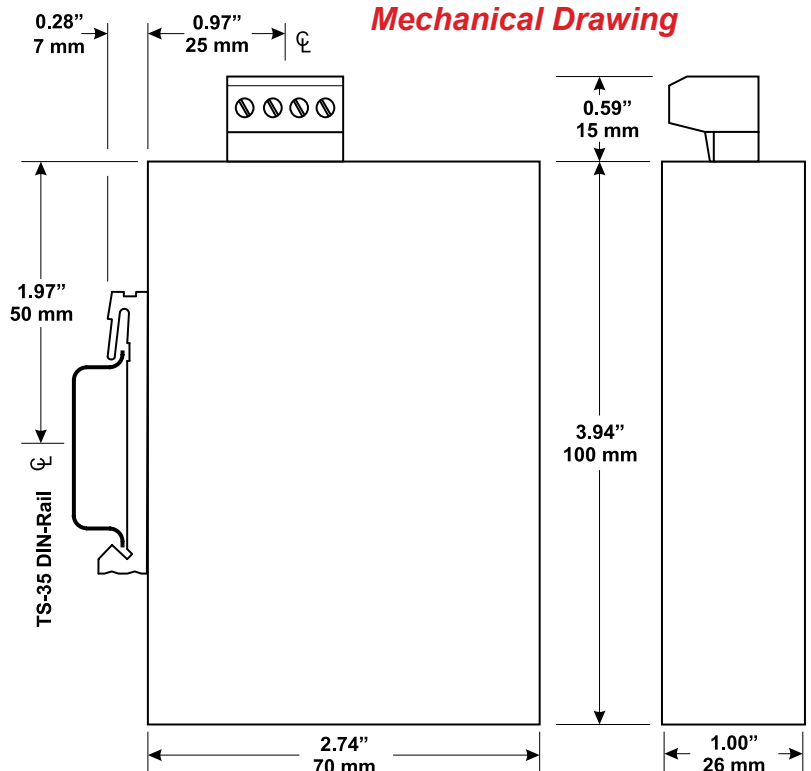
Non-PoE Ports

PoE Ports

Pin	Function	Pin	Function
1	TD+	1	TD+
2	TD–	2	TD–
3	RD+	3	RD+
4	N/C	4	+ 48 VDC
5	N/C	5	+ 48 VDC
6	RD–	6	RD–
7	N/C	7	48 VDC return
8	N/C	8	48 VDC return

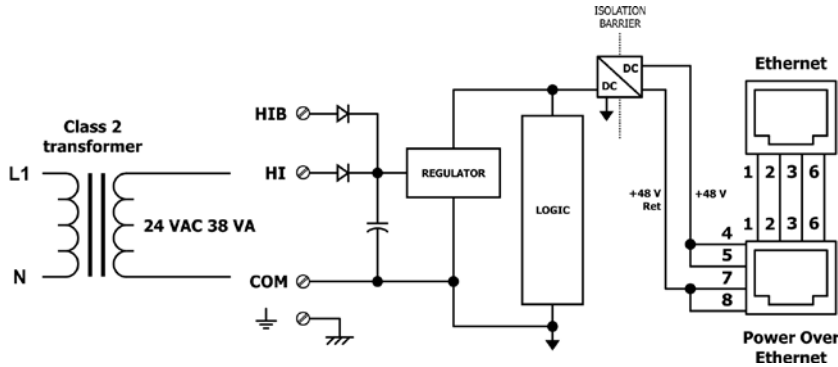


Mechanical Drawing

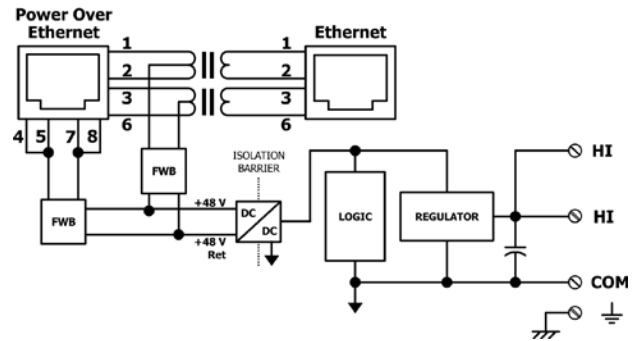


Injector Power Input and Output Circuitry

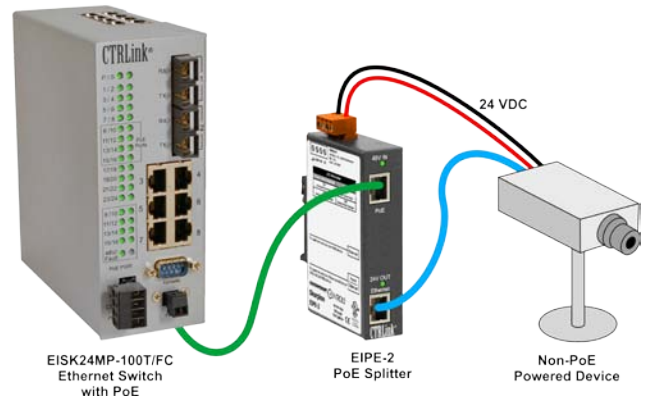
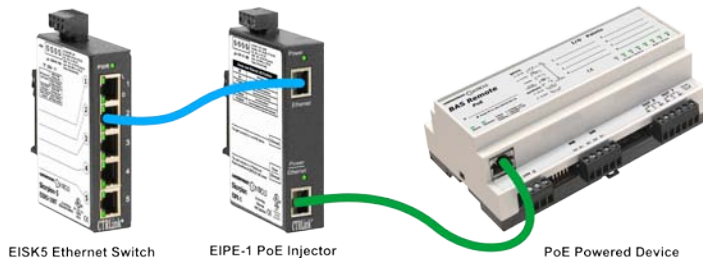
Injector



Splitter



Typical PoE Installations



Ordering Information

Model	RoHS	Description
EIPE-1	✓	Skorpion PoE Mid-Span Power Injector
EIPE-2	✓	Skorpion PoE Mid-Span Power Splitter

United States
Contemporary Control Systems, Inc.
 2431 Curtiss Street
 Downers Grove, IL 60515
 USA

Tel: +1 630 963 7070
 Fax: +1 630 963 0109

info@ccontrols.com
www.ccontrols.com

China
Contemporary Controls (Suzhou) Co. Ltd
 11 Huoju Road
 Science & Technology Industrial Park
 New District, Suzhou
 PR China 215009

Tel: +86 512 68095866
 Fax: +86 512 68093760

info@ccontrols.com.cn
www.ccontrols.asia

United Kingdom
Contemporary Controls Ltd
 14 Bow Court
 Fletchworth Gate
 Coventry CV5 6SP
 United Kingdom

Tel: +44 (0)24 7641 3786
 Fax: +44 (0)24 7641 3923

info@ccontrols.co.uk
www.ccontrols.eu

Germany
Contemporary Controls GmbH
 Fuggerstraße 1 B
 04158 Leipzig
 Germany

Tel: +49 341 520359 0
 Fax: +49 341 520359 16

info@ccontrols.de
www.ccontrols.eu