

CONTEMPORARY CONTROLS®

Automation Platform

Contemporary Controls designs and manufactures the system building blocks for networking, integrating and controlling automation processes where performance and reliability are important. With over 40 years of experience in electronics design, development, and manufacturing, we can provide the product you require under your brand.

The Automation Platform is a robust and powerful hardware platform for your automation software solution. With its 1.2GHz CPU and 1GB of RAM, this platform provides more than ample horsepower for the most demanding software applications. Field-proven, hardened circuitry and solid construction make the Automation Platform a rugged and reliable solution for even the most demanding automation systems.

- Raspberry Pi 3 hardware in hardened enclosure
- Quad Core 1.2GHz Broadcom 64-bit CPU
- 1GB LPDDR2 SDRAM
- 8GB Flash using eMMC memory or uSD card
- Dual Optically-Isolated EIA-485 ports with TX/RX LEDs and user-selectable bias/termination dip switches
- Dual 10/100Mbps individual (non-switched) Ethernet ports

With a wide array of embedded communications options, the Automation Platform can communicate with almost any standard network device from LTE Cellular, to Ethernet IP, to Wi-Fi or EnOcean devices.

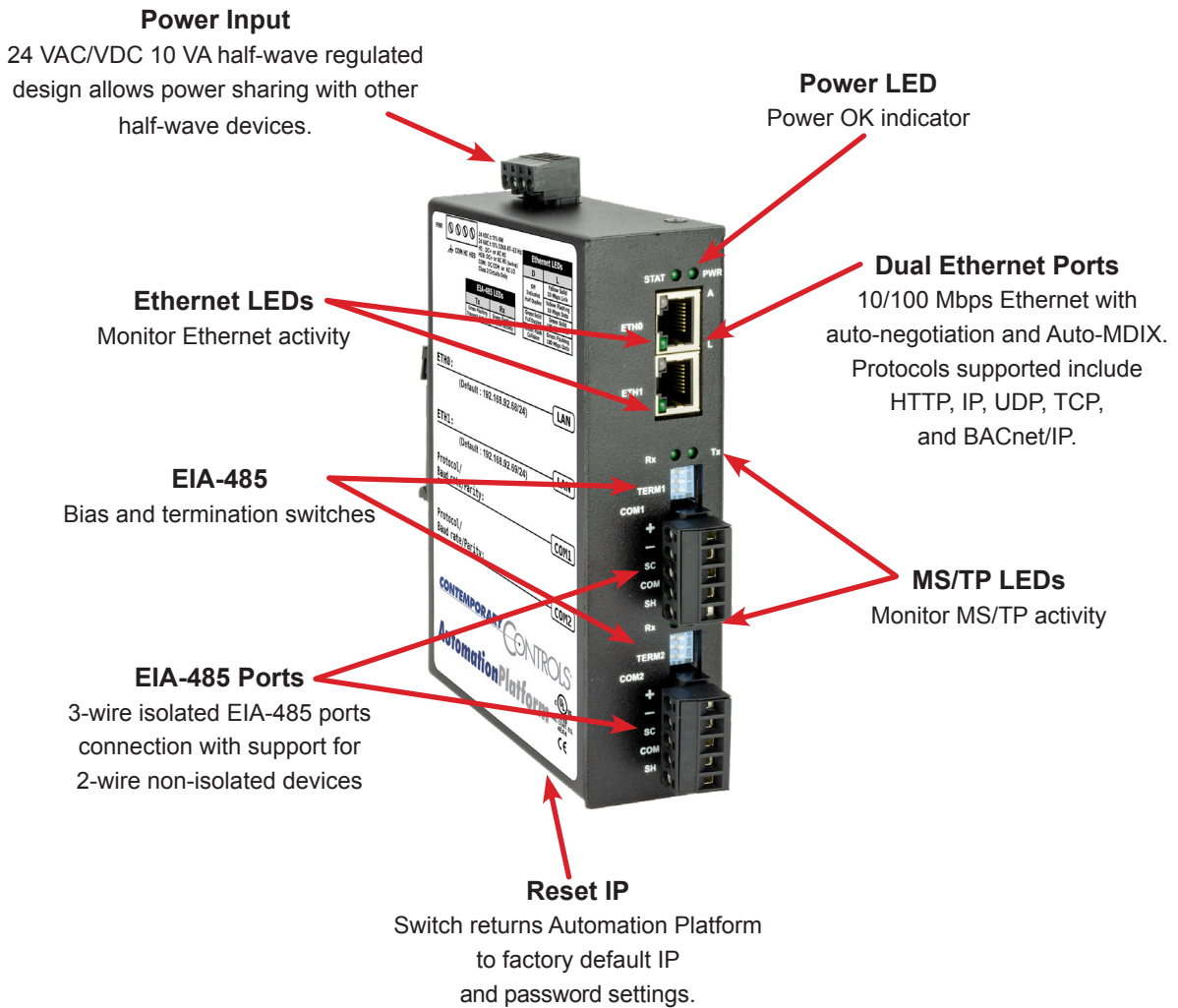
Two individual Ethernet ports (ETH0) and (ETH1), the platform can work on two networks at the same time, such as an IP Network, and a Control Network.



- 24VAC/VDC +/-10% 4-pin power input connection with Earth Ground and Backup
- 0-60°C operation
- DIN rail or Panel Mount rugged metal enclosure options
- FCC and CE compliance with rugged EMC
- Options for: Wi-Fi (802.11 a/b/g/n) 2.4GHz/5GHz, LTE/3G Cellular, or EnOcean embedded chips
- Linux Operating System

The optically isolated EIA-485 ports have automatic TXEN control which means that the software application will not need to be concerned with controlling TXEN when transmitting messages. User accessible dip switches allow for on-site EIA-485 bias/termination configuration.

A user-accessible reset IP switch at the bottom of the case is installed, which the software can read and used to indicate a condition in which the device should be returned to factory default IP address, user credentials, or other functions.



Ordering Information

Model	RoHS	Description	
Automation Platform	✓	1.2GHz Automation Platform	CONTACT US!

Worldwide Locations

United States
Contemporary Control Systems, Inc.
 2431 Curtiss Street
 Downers Grove, IL 60515 USA
 +1 630 963 7070
info@ccontrols.com
www.ccontrols.com

Germany
Contemporary Controls GmbH
 Fuggerstraße 1 B
 04158 Leipzig
 Germany
 +49 341 520359 0
info@ccontrols.de
www.ccontrols.com

United Kingdom
Contemporary Controls Ltd
 14 Bow Court
 Fletchworth Gate
 Coventry CV5 6SP
 United Kingdom
 +44 (0)24 7641 3786
info@ccontrols.co.uk
www.ccontrols.com

China
Contemporary Controls (Suzhou) Co. Ltd
 11 Huoju Road
 Science & Technology
 Industrial Park
 New District, Suzhou
 PR China 215009
 +86 512 68095866
info@ccontrols.com.cn
www.ccontrols.asia