



EISW16-100T Ethernet Switch

10/100 Mbps, Wide-Temp, Compact Size

The EISW16-100T switching hub is a sixteen-port unmanaged Ethernet switch that provides 10/100 Mbps performance on all ports to accommodate a range of control devices and workstations commonly found in an automation project. For 10 Mbps legacy devices, the switch will automatically reduce its port-speed accordingly. This low-cost compact unit utilizes a rugged metal enclosure, with DIN-rail and wall mounting installation.

The switch supports plug-and-play operation and requires no configuration. All ports automatically

configure their data rate and duplex using the Auto-negotiation protocol. Depending on the capability of the link partner, communication is set at 10 or 100 Mbps and at either half- or full-duplex. Each port accommodates either a straight-through or crossover cable using the Auto-MDIX protocol.

The unit is powered from a choice of low-voltages (AC or DC). Redundant power connections are provided for back-up power schemes. LEDs assist in troubleshooting.

EISW16-100T Ethernet Switch Features...

- Plug-and-Play operation
- 10BASE-T/100BASE-TX
- Shielded RJ-45 connectors
- Auto-negotiation of speed and duplex
- Auto-MDIX supports cable inversion
- Diagnostic LEDs
- DIN-rail and wall mounting
- Rugged metal enclosure
- Enhanced EMC compliance
- UL listed, CE mark, UKCA
- 12-48 VDC or 24 VAC powered
- 16K MAC address support
- Jumbo Frame support
- Operating Temp range -40°C to $+75^{\circ}\text{C}$



EISW16-100T

Overview

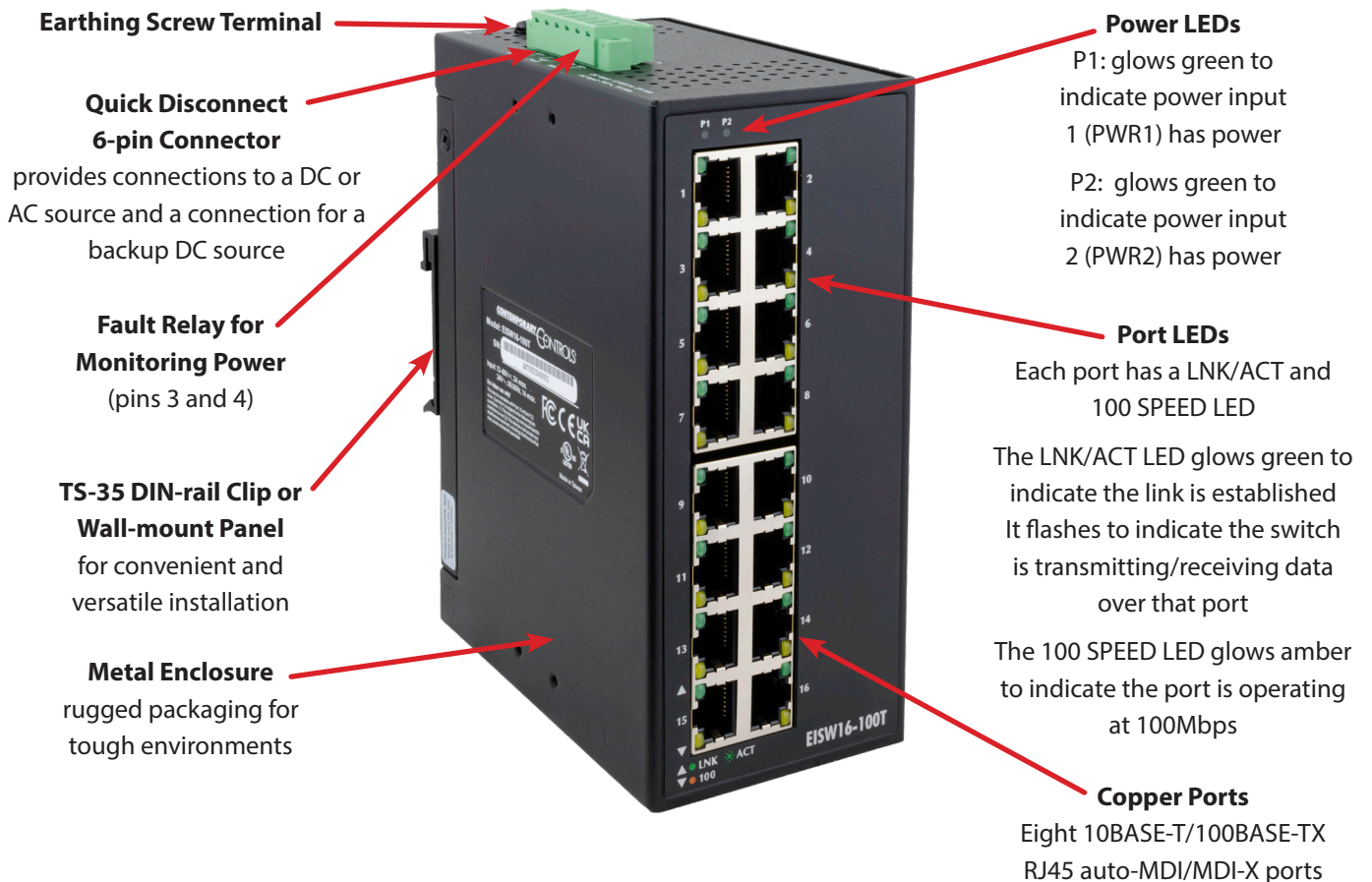
The EISW16-100T Switch can be used in control panel installations where DIN-rail space is at a premium by requiring a width of only 66 mm of rail space. A metal DIN-rail clip attached to the steel enclosure can survive the toughest installation. In addition, the unit comes equipped with a wall-mount kit for wall-mount installations.

The EISW16-100T has sixteen Auto-MDIX ports for attaching local devices. Each port has a LNK/ACT LED that glows with an established link and flashes with activity which assists in troubleshooting connection issues. Each port also has 100 speed LED that glows amber for 100Mbps.

The unit features dual power inputs with wide-ranging voltages (12-48 VDC or 24 VAC). For power redundancy, two DC supplies can be used. A normally open (NO) fault relay contact held closed, opens upon a P1 or P2 power failure. This contact is rated up to 24 VDC at 1A. A wide operating temperature range of -40°C to +75°C make the EISW16 suitable for outdoor applications.

A removable power connector facilitates the servicing of the unit.

The switch is UL Listed for Industrial Control Equipment. It complies with CFR 47 Part 15 Class A and carries the CE Mark. It is UKCA compliant.



Specifications

Power Requirements	12–48 VDC 5.3 W or 24 VAC ±10% 6 VA 47–63 Hz
Operating Temperature	–40°C to +75°C
Storage Temperature	–40°C to +85°C
Relative Humidity	5–95%, non-condensing
Protection	IP30
Mounting	TS-35 DIN-rail/wall-mounted
Weight	1.65 lb (0.75 kg)
Ethernet Communications	IEEE 802.3/3u/3x/1p/3az 10/100 Mbps data rate using RJ-45 connectors, 100 m (max)

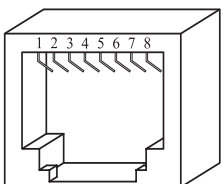
LEDs	P1	Green = PWR1 has power
	P2	Green = PWR2 has power
	LNK/ACT	Green = 10/100Mbps link established Flashing Green = Data
	100	Amber = 100 Mbps

Regulatory Compliance CE Mark; CFR 47, Part 15 Class A; UL; UKCA



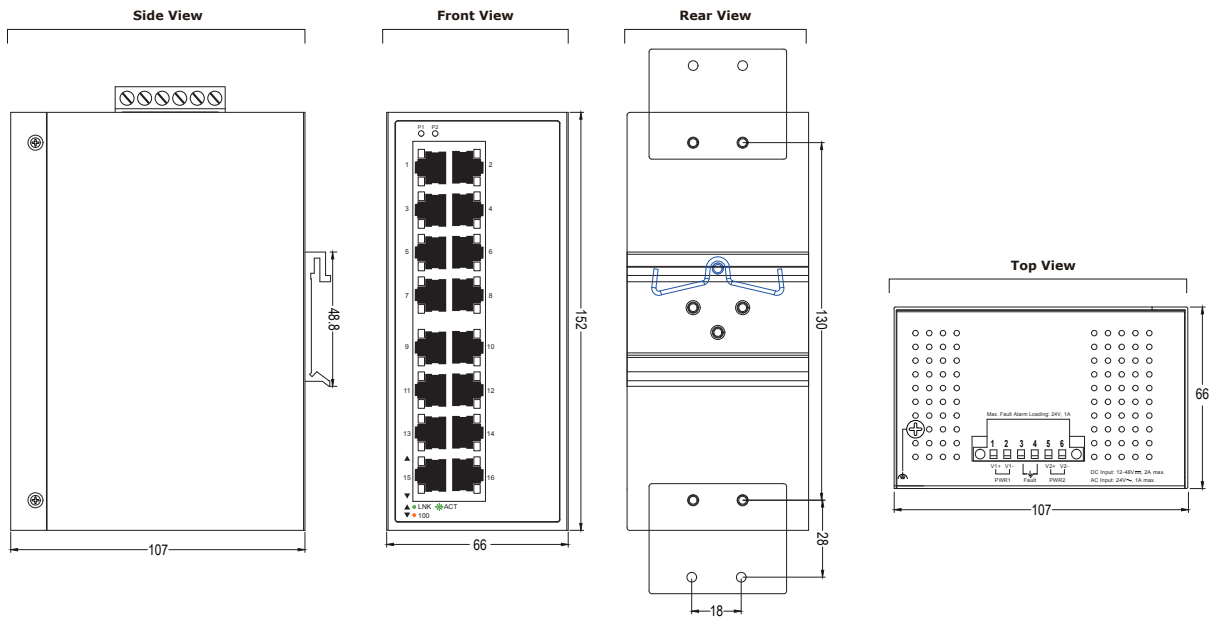
RJ-45 Connector Pin Assignments

Pin	Function
1	TD+
2	TD-
3	RD+
4	Not Used
5	Not Used
6	RD-
7	Not Used
8	Not Used



Mechanical Drawing

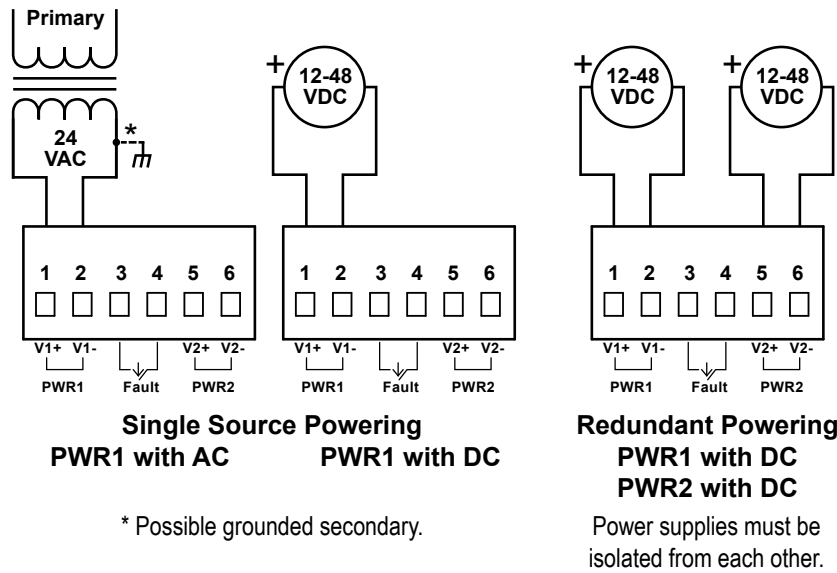
Dimensions: 66 x 107 x 152 mm (W x D x H)



Power Considerations

The EISW can be powered from either a single source of AC or DC. Dual source powering is possible with two DC supplies isolated from one another. The recommended size for solid power conductors is 16–22 AWG; for stranded

conductors, use 16–18 AWG. Input connections are reverse polarity protected. The earthing screw terminal on the switch must be grounded if there is no other option for grounding the case.



Typical Switch Installations



Ordering Information

Model	Description
EISW16-100T	16-Port 10/100Mbps Wide-Temp Ethernet Switch -40 to +75C

United States
Contemporary Control Systems, Inc.

Tel: +1 630 963 7070
Fax: +1 630 963 0109

info@ccontrols.com

China
Contemporary Controls (Suzhou) Co. Ltd

Tel: +86 512 68095866
Fax: +86 512 68093760

info@ccontrols.com.cn

United Kingdom
Contemporary Controls Ltd

Tel: +44 (0)24 7641 3786
Fax: +44 (0)24 7641 3923

info@ccontrols.co.uk

Germany
Contemporary Controls GmbH

Tel: +49 341 520359 0
Fax: +49 341 520359 16

info@ccontrols.de

www.ccontrols.com